

**DESCRIPTION**

Solenoid valve 2 way normally closed  
direct acting poppet type

**CONSTRUCTION**

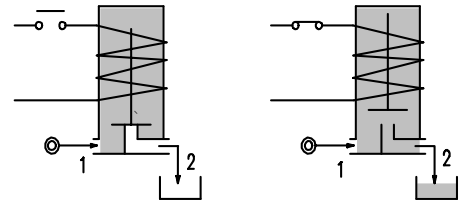
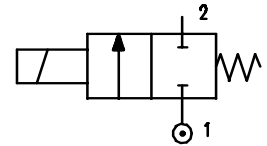
Body	Brass
Armature tube	Brass
Plunger and core	Stainless steel
Springs	Stainless steel
Seal material	FPM



**2**

**FEATURES**

Maximum allowable pressure 50 bar \*  
 Maximum fluid viscosity 25cSt (mm<sup>2</sup>/s)  
 Ambient temperature : with class F coil -10°C +55°C  
 with class H coil -10°C +80°C  
 Universal mounting position



CODE ②	Connection G ISO 228	Orifice mm	KV m <sup>3</sup> /h	Differential pressure bar			Nominal power			Coil		Seal	Temp. range °C
				Min	Max		AC Inrush	VA Holding	DC Watt	Series	Width		
					AC	DC							
W106BV30///.....	1/4"	3	0.18	0	14	6	20	15	10	2	30	FPM=V	-10 +130
W106BV40///.....	1/4"	4	0.26	0	7	3	20	15	10	2	30		

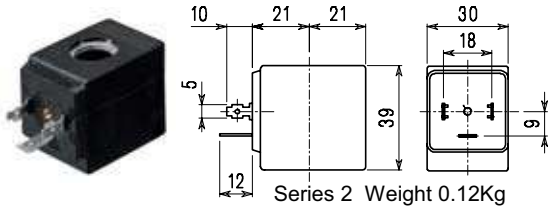
② Coil

\* REMARK: The maximum allowable pressure PS for steam is 2,5bar (gauge pressure)

COIL	Alternating Current ~50/60Hz Volt							Direct Current Volt			Electrical connection	Connectors
	12	24	48	110	220 230	240	380	12	24	48		
Series 2 Width 30 Code ②	20A	20B	20C	20D	20E	20F	20G	200	201	202	DIN 43650A	PG9 code 10349000

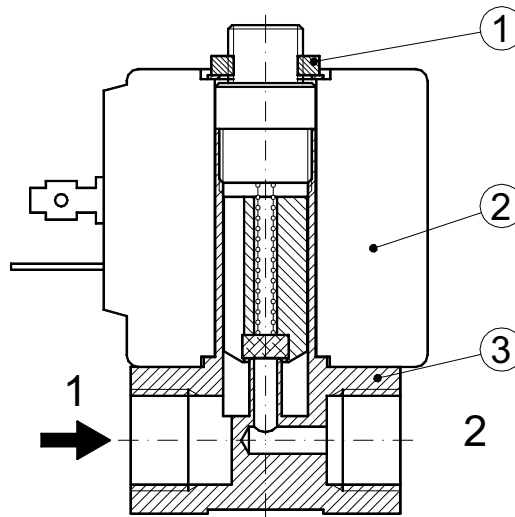
**DESCRIPTION**  
 Class F insulation  
 Voltage tolerance  
 AC +15% -10%  
 DC ± 10%  
 Protection class  
 IP65 with connector mounted  
 IP00 without connector  
 Continuous service ED100%

**OPTIONS**  
 Class H insulation  
 Cable attached  
 Special coil voltages  
 Special coil powers

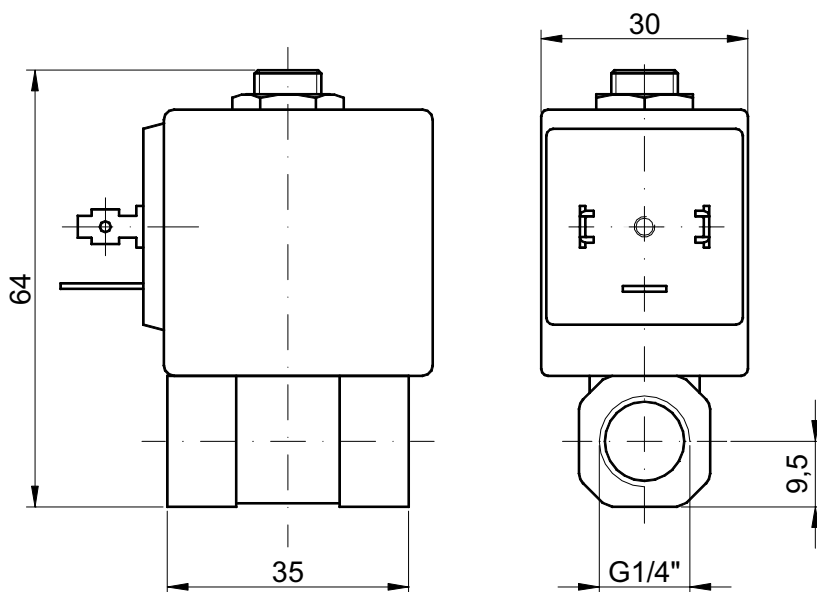


### SPARE PARTS LIST

1. Coil fixing nut
2. Coil
3. Valve



### OVERALL DIMENSION



Weight = 0.22 Kg