

MACP302 series

AIR UNIT (F.R.L.UNIT)



Mindman

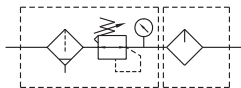
Specification

| Model | MACP302 | | |
|------------------------------|--------------------------------------|----------|-----|
| Components | MAFR302, MAL302 | | |
| Bore No. | 8A | 10A | 15A |
| Port size | 1/4 | 3/8 | 1/2 |
| Medium | Air | | |
| Operating pressure range (*) | 0.05~1 MPa | | |
| Proof pressure | 1.5 MPa | | |
| Regulated pressure range | 0.05~0.85 MPa | | |
| Ambient temperature | - 5~+60°C (No freezing) | | |
| Filter element | Standard: 5μm, Option: 40μm | | |
| Lubricating oil capacity | 65c.c | | |
| Min. flow for oil drip | 50 ℓ/min | 60 ℓ/min | |
| Recommended lubricating oil | Turbine oil ISO-VG32 | | |
| Attachment | Pressure gauge(PG-20),T-type bracket | | |
| Weight | 845 g | | |



Option: **MP41**

Symbol



* Standard unit contains semi-auto-drain function when operating pressure below 0.05 MPa.

* Choose auto-drain FMRF300, the pressure range is 0.15~1 MPa.

Order example

MACP302 – 8A – NC□□ – E1 – □ – T8 – HR – □

MODEL

PORT SIZE

8A: 1/4
10A: 3/8
15A: 1/2

(Option)
PRESSURE
SWITCH

E1: MP41P-022
E2: MP41P-022-QD
E5: MP41P-042
E6: MP41P-042-QD

* Refer to page 5-13 for MP41.

FILTER
ELEMENT

Blank: 5μm
40u: 40μm

(Option)
BY-PASS PORT SIZE

| | |
|----------------|---------------------------------|
| T type bracket | T8: 1/4 T10: 3/8 T15: 1/2 |
| Check valve | K8: 1/4 K10: 3/8 |

PORT THREAD
Blank: Rc thread
G: G thread
NPT: NPT thread

(Option)

SHUTOFF VALVE

HR: MVHR-302-3H
1: MVHR-302S-3H-AC110
1L: MVHR-302S-3H-AC110-L
1E: MVHR-302S-3H-AC110-E
2: MVHR-302S-3H-AC220
2L: MVHR-302S-3H-AC220-L
2E: MVHR-302S-3H-AC220-E
4: MVHR-302S-3H-DC24
4L: MVHR-302S-3H-DC24-L
4E: MVHR-302S-3H-DC24-E

(Option)

| Bowl | Pressure gauge | Drain valve | Flow direction |
|--|--|--|--|
| Blank: PC bowl M: Metal bowl N: Nylon bowl | Blank: Pressure gauge (PG-20) C: External pressure gauge (PG-40) + Gauge adapter set (A-MAR302) A: Gauge adapter set (A-MAR302) | Blank: Semi-auto drain D: Auto drain valve (FMRF300) | Blank: Left to right R: Right to left |

* PG-40 (C), A-MAR302 (A) and MP41 (E*) can not be selected at the same time.

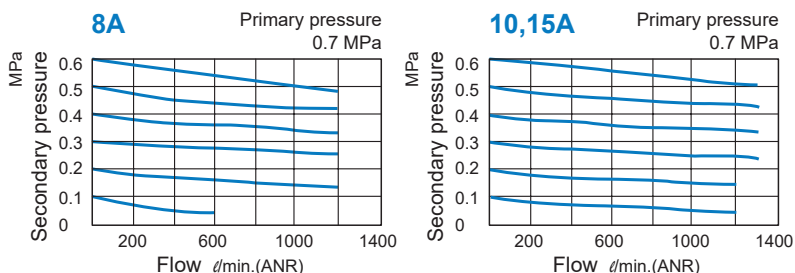
* Be sure to use above check valves when redirecting the air flow on the inlet side of the lubricator.

* 302: Manual type, 302S: Solenoid type

* Refer to page 3-71 for MVHR.

Caution

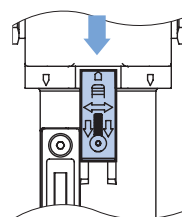
Flow feature



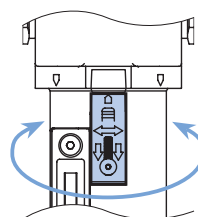
Metal bowl

Before assembling or disassembling, push the lock plate down to the end, and confirm that is detached from the body then rotate the bowl, otherwise the lock plate will be deformed or the body will be scratched.

1. Sliding plate down



2. Rotating the bowl

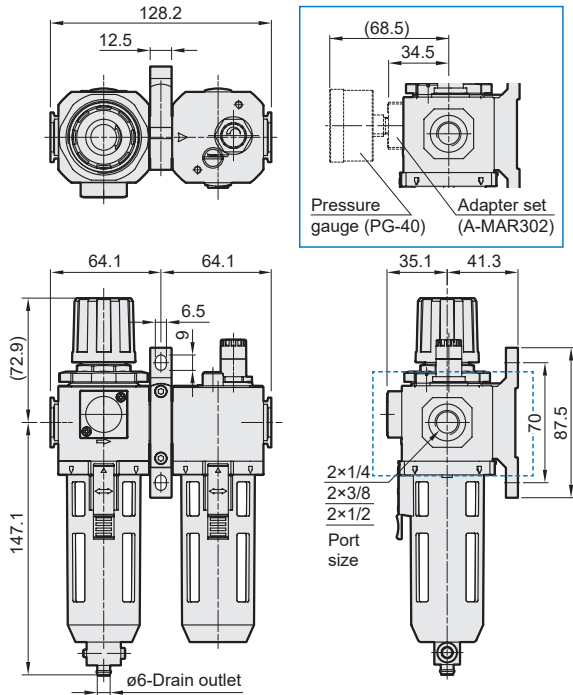


MACP302 Dimensions

AIR UNIT (F.R.L.UNIT)

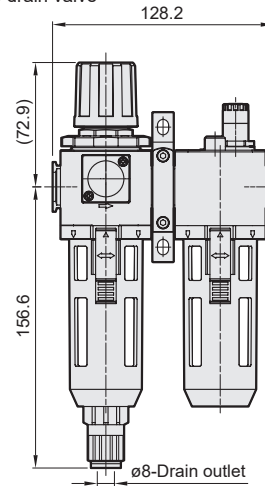


Accessories



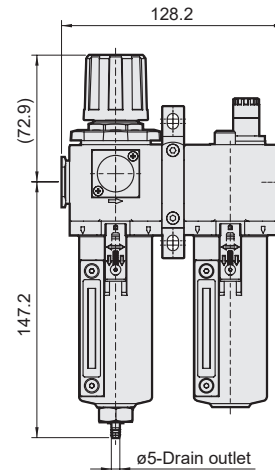
MACP302-D

Auto drain valve



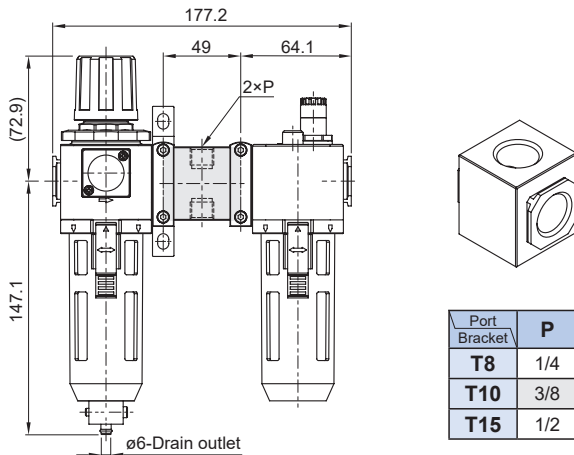
MACP302-M

Metal bowl



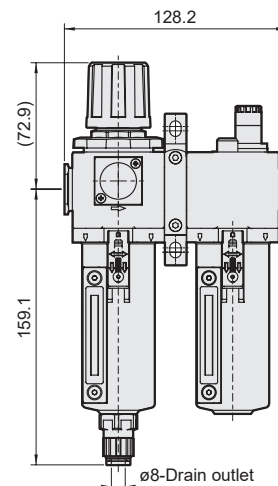
MACP302-T*

T type bracket



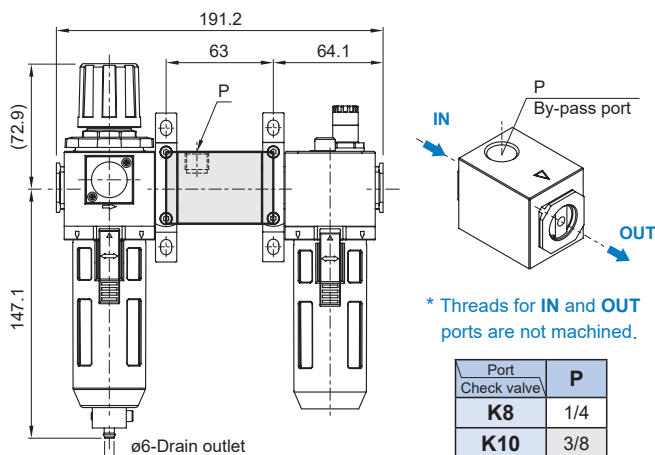
MACP302-MD

Metal bowl + Auto drain valve



MACP302-K*

Check valve



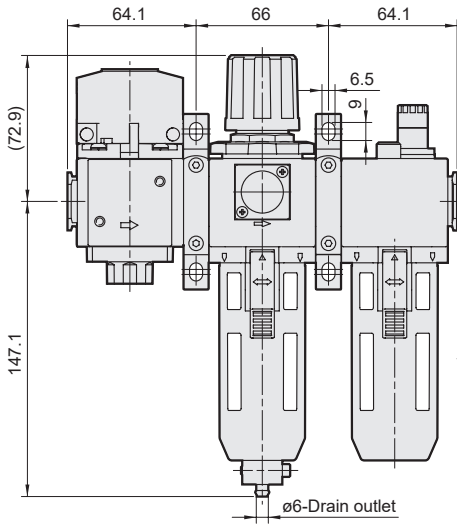
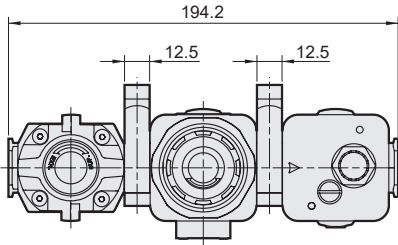
MACP302-HR With shutoff valve

AIR UNIT (F.R.L.UNIT)

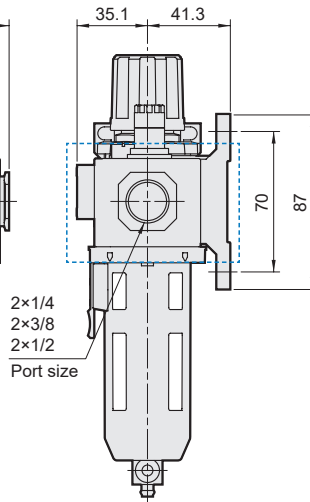
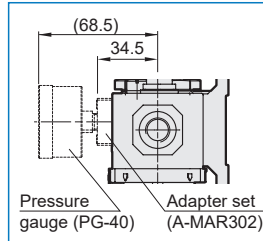


MACP302-HR

With shutoff valve (MVHR-302)



Accessories



MACP302-1*1/2*/4*

With shutoff valve (MVHR-302S)

