

MACP401 series

AIR UNIT (F.R.L.UNIT)

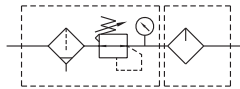


Specification



Option: MP41

Symbol



Model	MACP401		
Components	MAFR401, MAL401		
Bore No.	8A	10A	15A
Port size	1/4	3/8	1/2
Medium	Air		
Operating pressure range (*)	0.05~1.5 MPa		
Proof pressure	2 MPa		
Regulated pressure range	Standard type: 0.1~0.85 MPa High pressure type: 0.1~1.5 MPa		
Ambient temperature	- 5~+60°C (No freezing)		
Filter element	Standard: 40µm, Option: 5µm		
Lubricating oil capacity	200c.c		
Min. flow for oil drip	30 l/min	65 l/min	80 l/min
Recommended lubricating oil	Turbine oil ISO-VG32		
Attachment	Pressure gauge (PG-20), L-type bracket		
Weight	1518 g		

* Standard unit contains semi-auto-drain function when operating pressure below 0.05 MPa.

* Choose auto-drain FMRF300, the pressure range is 0.15~1 MPa.

Order example

MACP401- 8A - □ - HA□P□ - E1 - □ - T8 - HR - □

MODEL

PORT SIZE

8A: 1/4
10A: 3/8
15A: 1/2

EXTERIOR COLOR

Blank: Black & silver
W: Gray & white

(Option)
PRESSURE SWITCH

E1: MP41P-022
E2: MP41P-022-QD
E5: MP41P-042
E6: MP41P-042-QD

* Refer to page 5-13 for MP41.

FILTER ELEMENT

Blank: 40µm
5u: 5µm

(Option)

BY-PASS PORT SIZE

T type bracket	T8: 1/4 T10: 3/8 T15: 1/2
Check valve	K8: 1/4 K10: 3/8

PORT THREAD

Blank: Rc thread
G: G thread
NPT: NPT thread

(Option)

Type	Pressure gauge	Drain valve	Pressure switch	Flow direction
Blank: Standard type	Blank: Pressure gauge (PG-20) C: External pressure gauge (PG-40) + Gauge adapter set (A-MAR401) A: Gauge adapter set (A-MAR401)	Blank: Semi-auto drain D: Auto drain valve (FMRF300)	P: Pressure switch (MPS series)	Blank: Left to right R: Right to left
H: High pressure type	C: External pressure gauge (PG-40) + Gauge adapter set (A-MAR401) A: Gauge adapter set (A-MAR401)	Blank: Semi-auto drain	-	

(Option)

SHUTOFF VALVE

HR: MVHR-400-3H
1: MVHR-400S-3H-AC110
1L: MVHR-400S-3H-AC110-L
1E: MVHR-400S-3H-AC110-E
2: MVHR-400S-3H-AC220
2L: MVHR-400S-3H-AC220-L
2E: MVHR-400S-3H-AC220-E
4: MVHR-400S-3H-DC24
4L: MVHR-400S-3H-DC24-L
4E: MVHR-400S-3H-DC24-E

* PG-40 (C), A-MAR302 (A) and MP41 (E*) can not be selected at the same time.

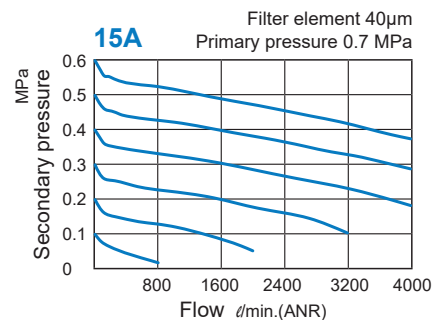
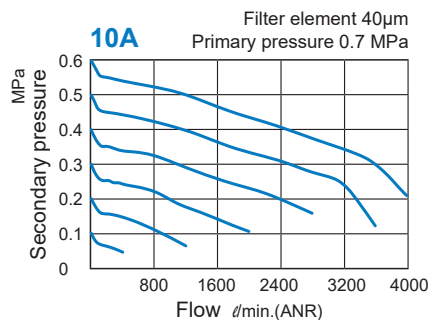
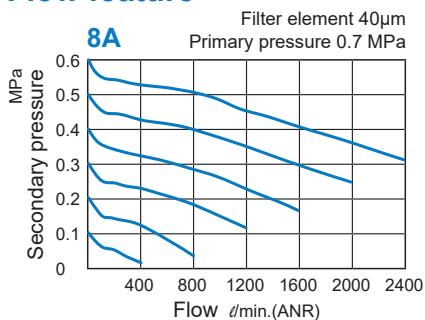
* Specification (W) gauge adapter set (A-MAR302).

* Be sure to use above check valves when redirecting the air flow on the inlet side of the lubricator.

* 400: Manual type, 400S: Solenoid type

* Refer to page 3-71 for MVHR.

Flow feature

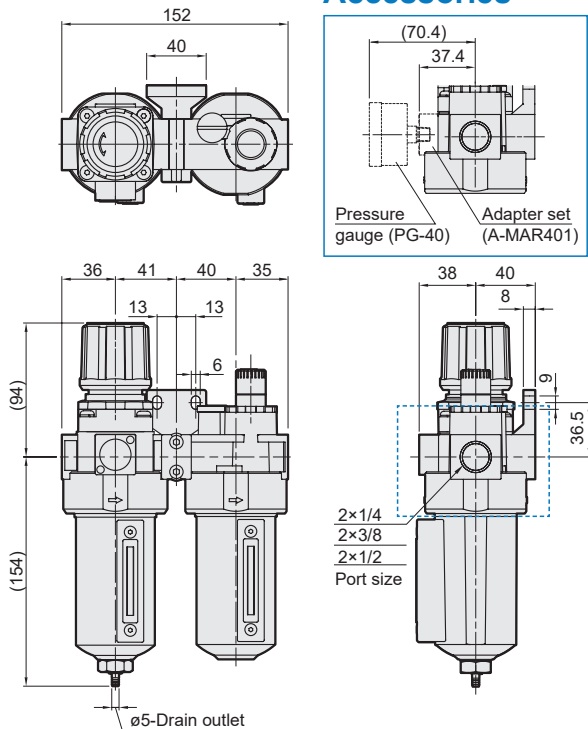


MACP401 Dimensions

AIR UNIT (F.R.L.UNIT)

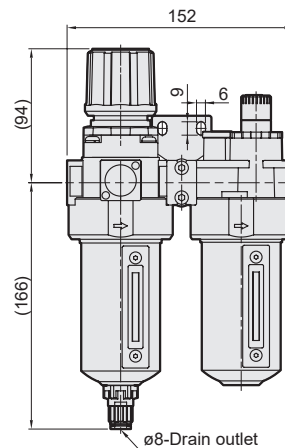


Accessories



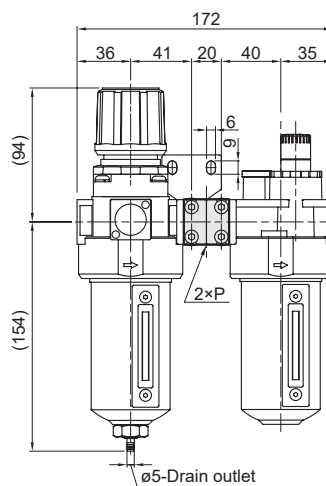
MACP401-D

Auto drain valve



MACP401-T*

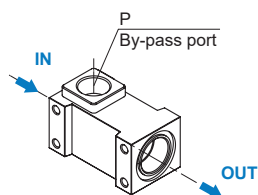
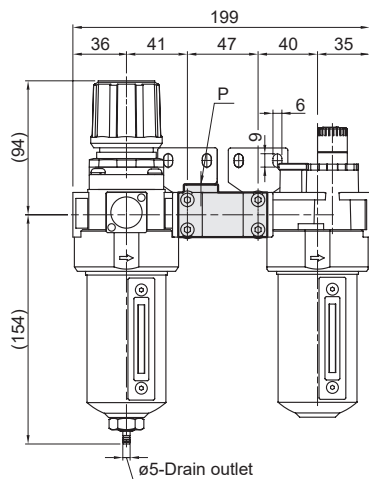
T type bracket



Port Bracket	P
T8	1/4
T10	3/8
T15	1/2

MACP401-K*

Check valve

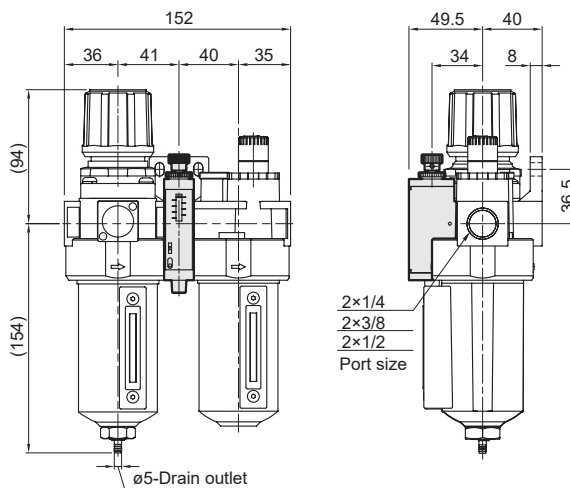


Port Check valve	P
K8	1/4
K10	3/8

* Threads for IN and OUT ports are not machined.

MACP401-P

MPS Series pneumatic pressure switch



MACP401-HR With shutoff valve

AIR UNIT (F.R.L.UNIT)



MACP401-HR

With shutoff valve (MVHR-400)

MACP401-1*1/2*/4*

With shutoff valve (MVHR-400S)

Accessories

