

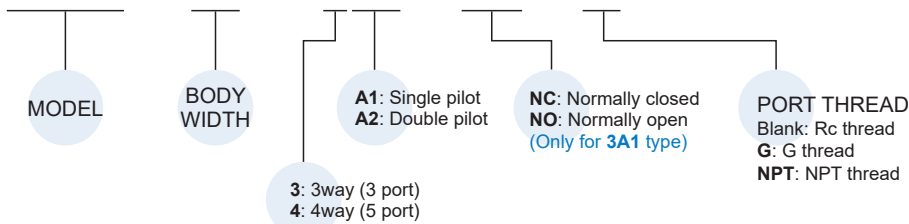
### Specification

Model	3A1	3A2	4A1	4A2
Bore No.	6A			
Port size	1/8			
No. of port	3		5	
Medium	Air			
Operating pressure range (MPa)	0.15~0.8	0~0.8	0.15~0.8	0~0.8
Proof pressure	1 MPa			
Effective orifice	12 mm <sup>2</sup>			
Pilot pressure range	(0.45×P*+0.1)~0.8 MPa			
Ambient temperature	-5~+60°C (No freezing)			
Weight	61 g	74 g	71 g	84 g

\* P: Operating pressure.

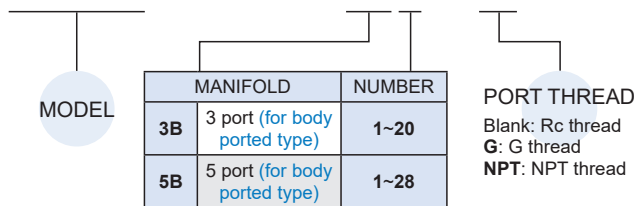
### Order example of valve

MVAA – 180 – 4A2 – NC – G



### Order example of manifold

MVSC1 – 180 – 3B3 – G



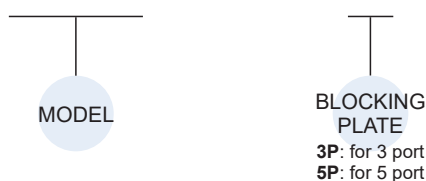
\* Use the same manifold with MVSC1.

\* Starting from 11 stations, manifolds are made to order.

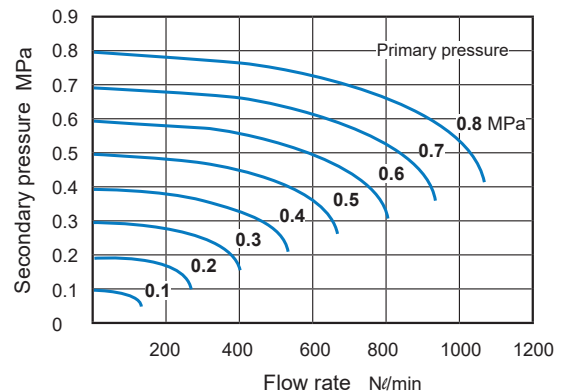
\* Use the same blocking plate with MVSC1.

### Order example of blocking plate

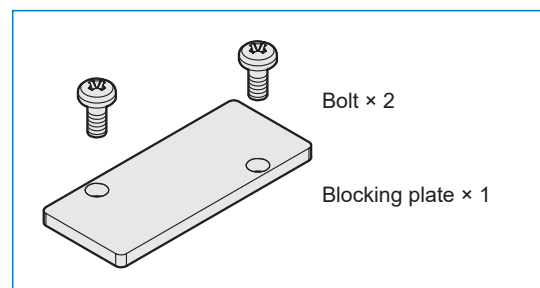
MVSC1 – 180 – 5P



### Flow features



### Blocking plate parts

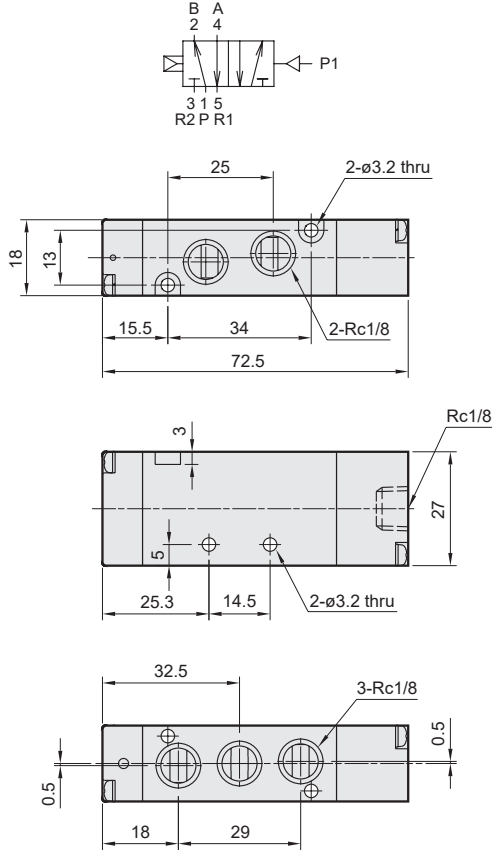


# MVAA-180 Dimensions

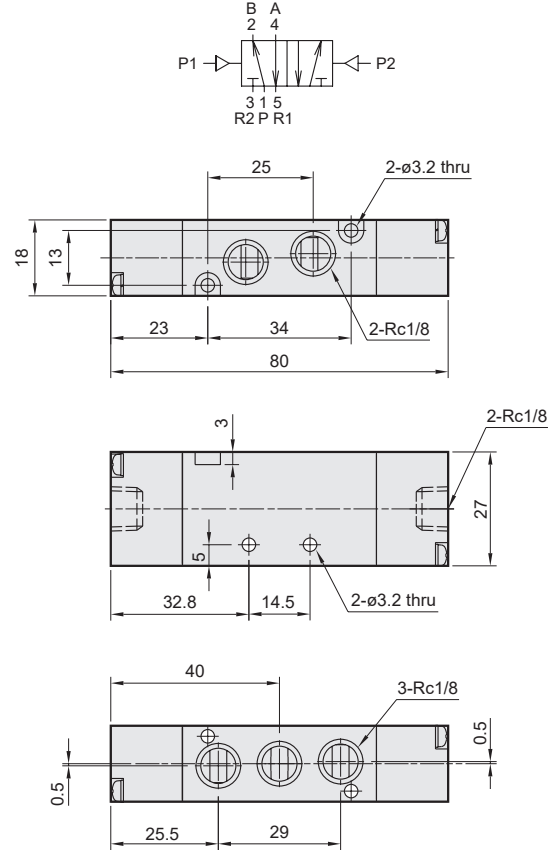
## PILOT VALVE



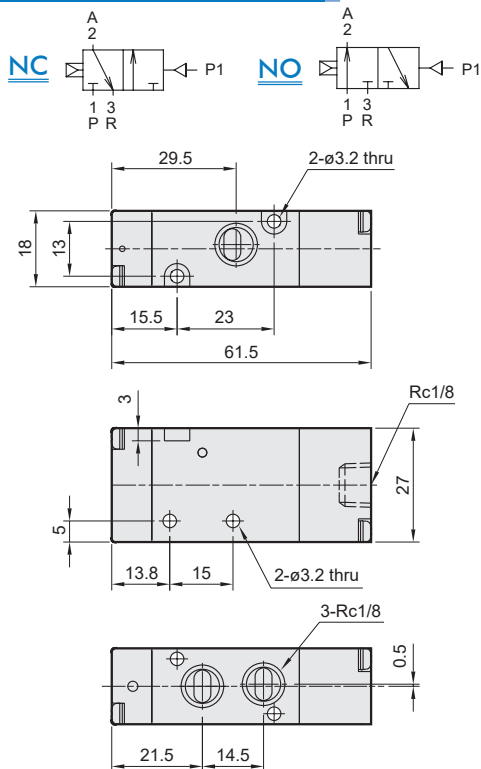
### MVAA-180-4A1



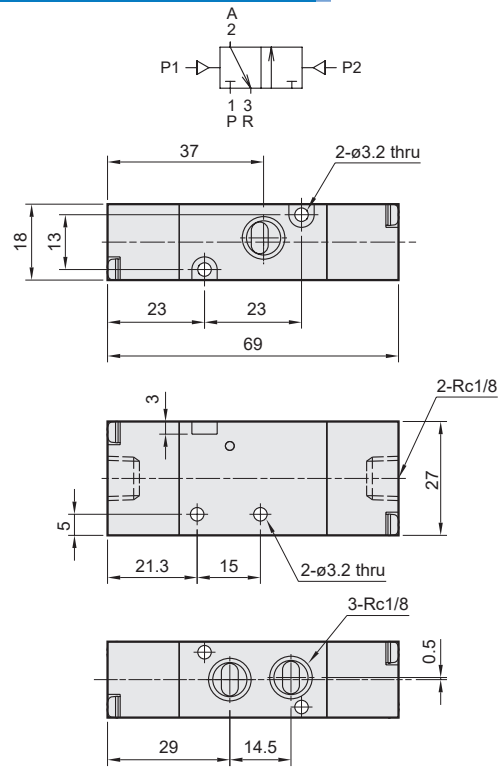
### MVAA-180-4A2



### MVAA-180-3A1-NC/NO



### MVAA-180-3A2



# MVAA-180 Manifold

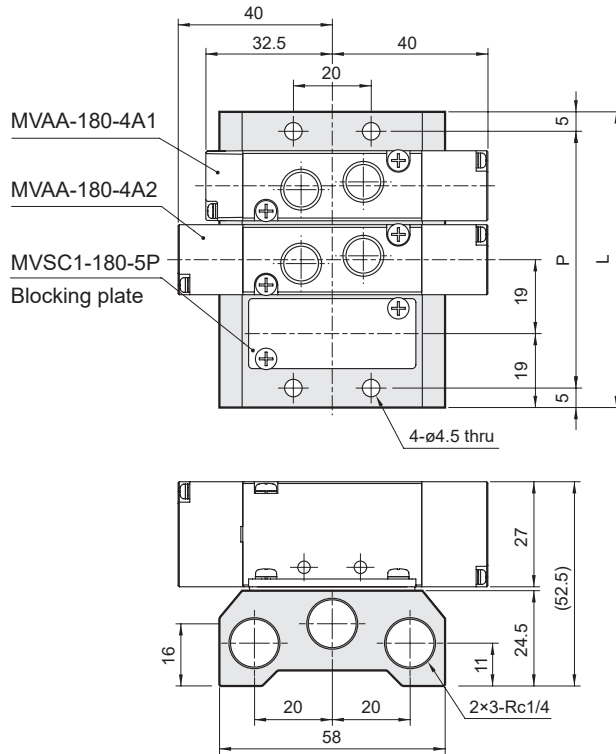
## PILOT VALVE



### MVSC1-180-5B\*

\* Use the same manifold with MVSC1.

5 port (for body ported type)



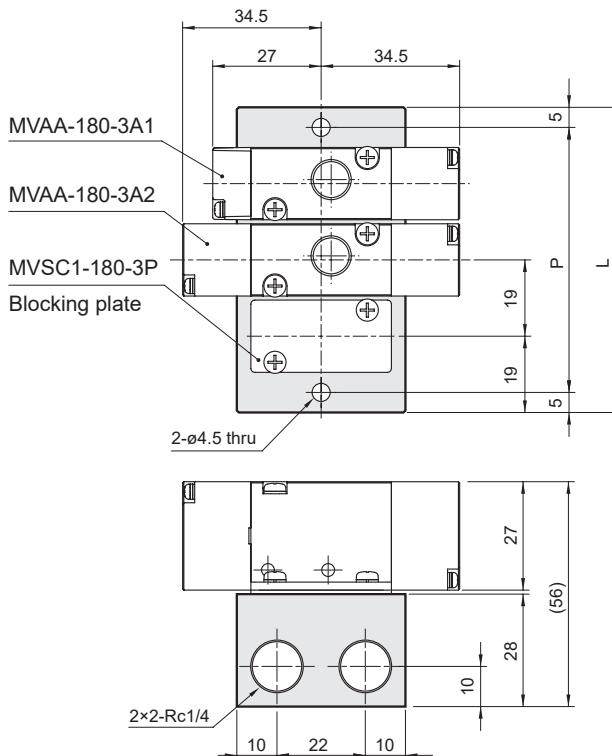
No. of stations	P	L
1	28	38
2	47	57
3	66	76
4	85	95
5	104	114
6	123	133
7	142	152
8	161	171
9	180	190
10	199	209

P: (No. of stations-1)×19+28  
L: (No. of stations-1)×19+38

### MVSC1-180-3B\*

\* Use the same manifold with MVSC1.

3 port (for body ported type)



No. of stations	P	L
1	28	38
2	47	57
3	66	76
4	85	95
5	104	114
6	123	133
7	142	152
8	161	171
9	180	190
10	199	209

P: (No. of stations-1)×19+28  
L: (No. of stations-1)×19+38