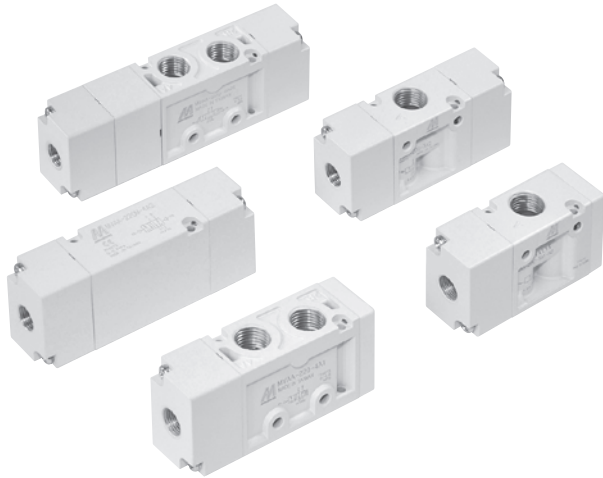


MVAA-220 series

PILOT VALVE



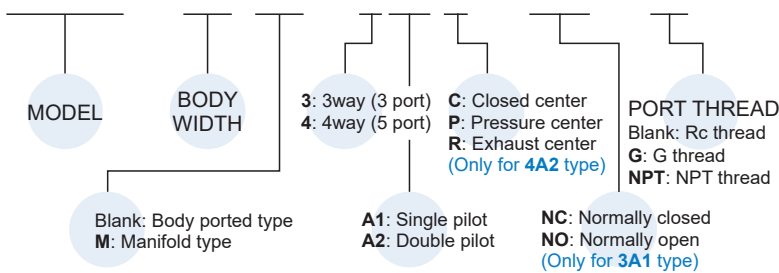
Specification

Model	3A1	3A2	4A1	4A2	4A2C.PR
Bore No.	8A				
Port size	1/4				
No. of port	3		5		
Medium	Air				
Operating pressure range	0~0.8 MPa				
Proof pressure	1 MPa				
Effective orifice	18 mm ²				
Pilot pressure range	(0.3×P*+0.1)~0.8 MPa				
Ambient temperature	-5~+60°C (No freezing)				
Weight	122 g	134 g	106 g	134 g	179 g

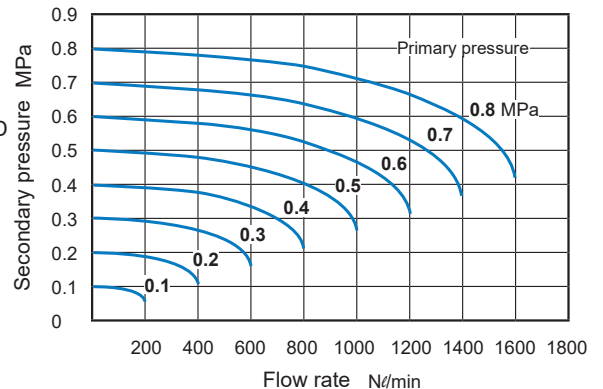
* P: Operating pressure.

Order example of valve

MVAA - 220M - 4A2C - NC - G

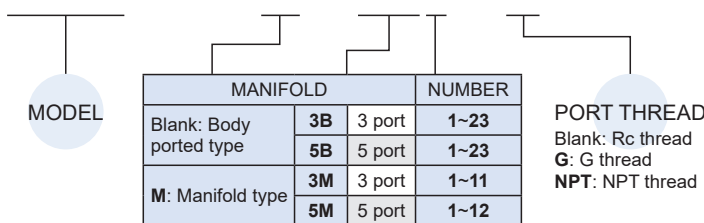


Flow features



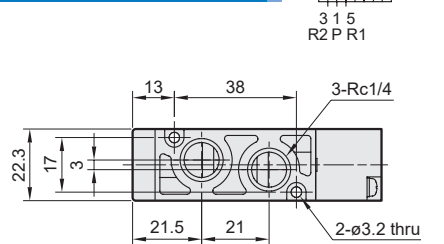
Order example of manifold

MVSC - 220M - 5M3 - G



* Use the same manifold with MVSC.
* Starting from 11 stations, manifolds are made to order.

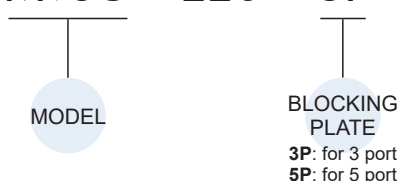
MVAA-220-4A1



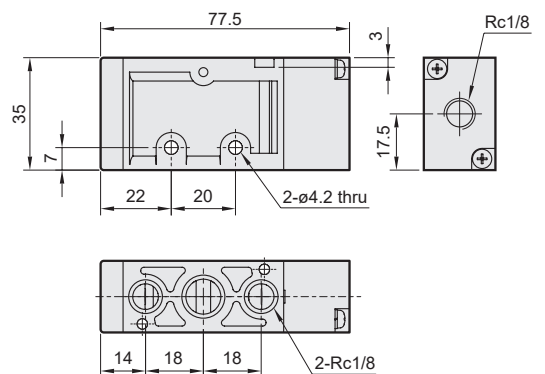
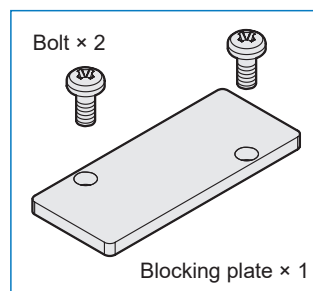
* Use the same blocking plate with MVSC.

Order example of blocking plate

MVSC - 220 - 5P



Blocking plate parts

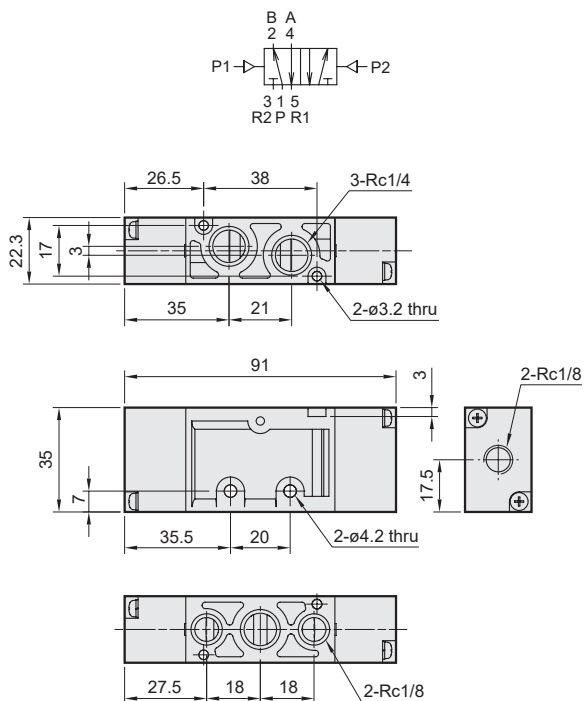


MVAA-220 Dimensions

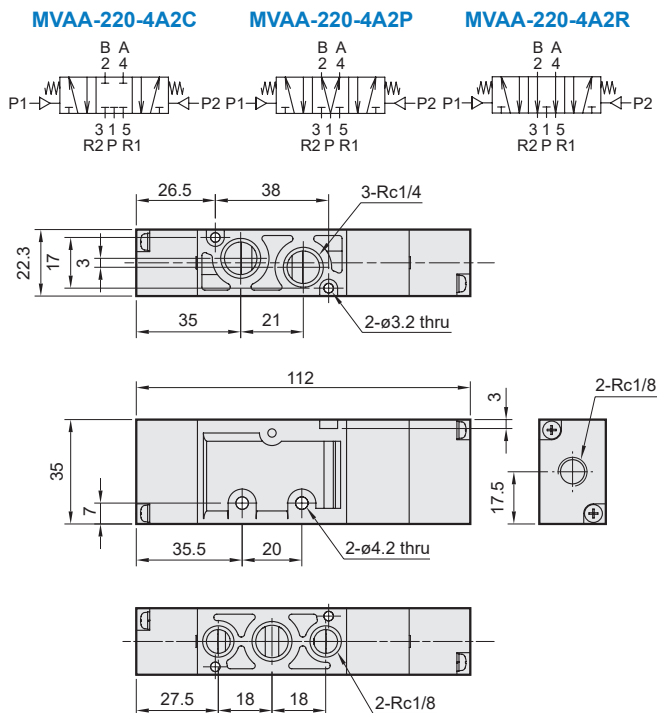
PILOT VALVE



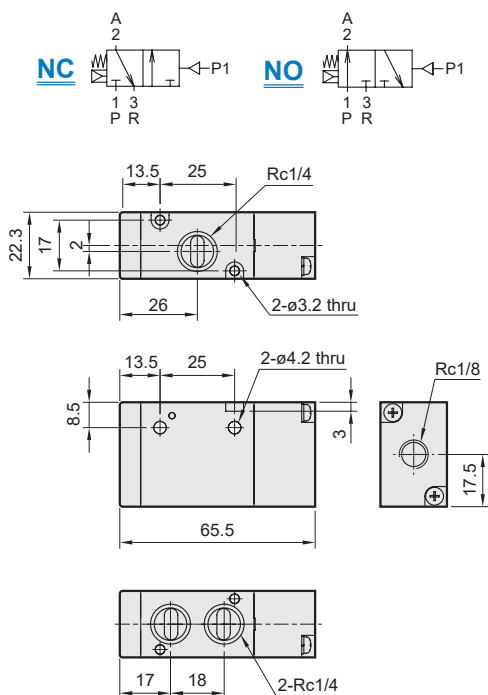
MVAA-220-4A2



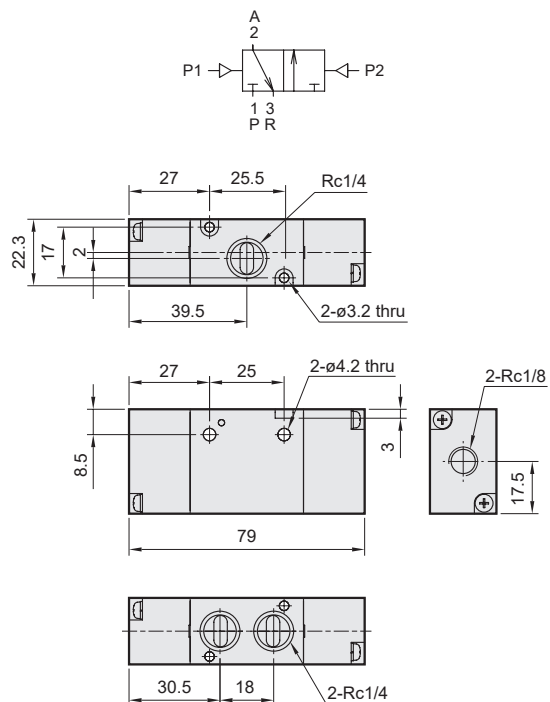
MVAA-220-4A2C.P.R



MVAA-220-3A1-NC/NO



MVAA-220-3A2



MVAA-220 Manifold

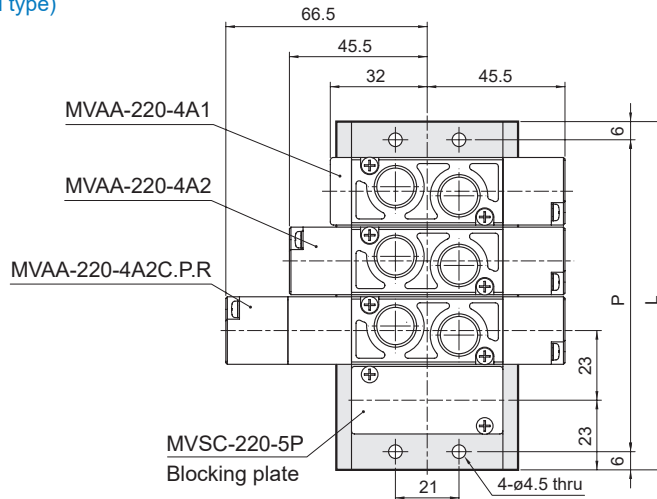
PILOT VALVE



MVSC-220-5B*

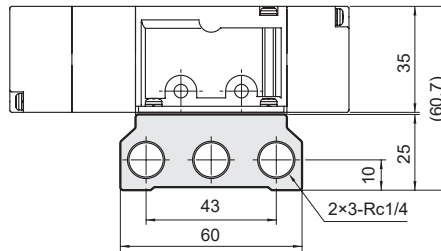
* Use the same manifold with MVSC.

5 port (for body ported type)



No. of stations	P	L
1	34	46
2	57	69
3	80	92
4	103	115
5	126	138
6	149	161
7	172	184
8	195	207
9	218	230
10	241	253

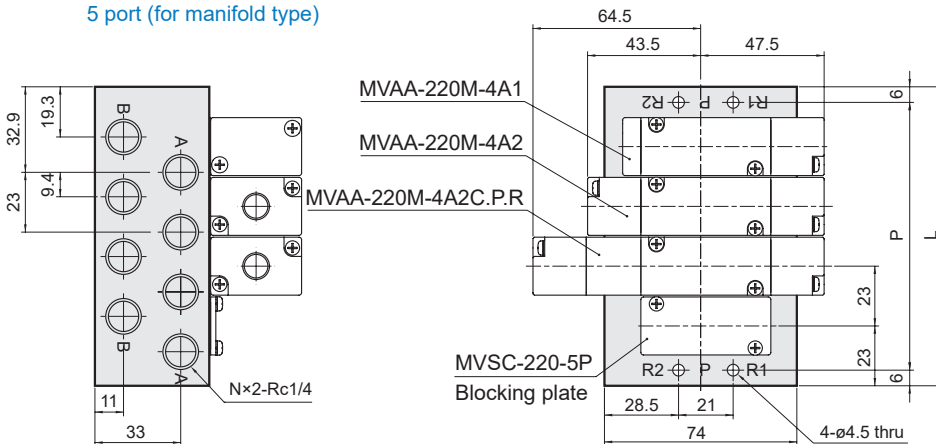
P: (No. of stations-1)×23+34
L: (No. of stations-1)×23+46



MVSC-220-5M*

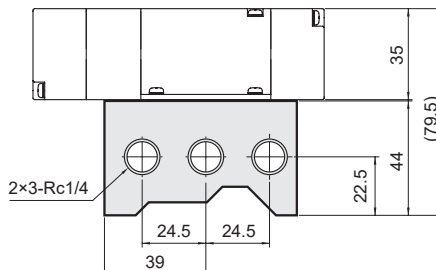
* Use the same manifold with MVSC.

5 port (for manifold type)



No. of stations (N)	P	L
1	34	46
2	57	69
3	80	92
4	103	115
5	126	138
6	149	161
7	172	184
8	195	207
9	218	230
10	241	253

P: (No. of stations-1)×23+34
L: (No. of stations-1)×23+46



MVAA-220 Manifold

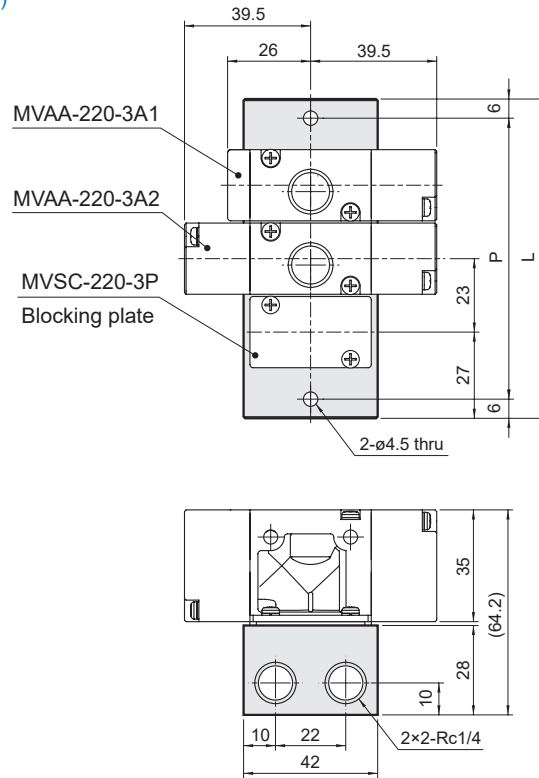
PILOT VALVE



MVSC-220-3B*

* Use the same manifold with MVSC.

3 port (for body ported type)



No. of stations	P	L
1	42	54
2	65	77
3	88	100
4	111	123
5	134	146
6	157	169
7	180	192
8	203	215
9	226	238
10	249	261

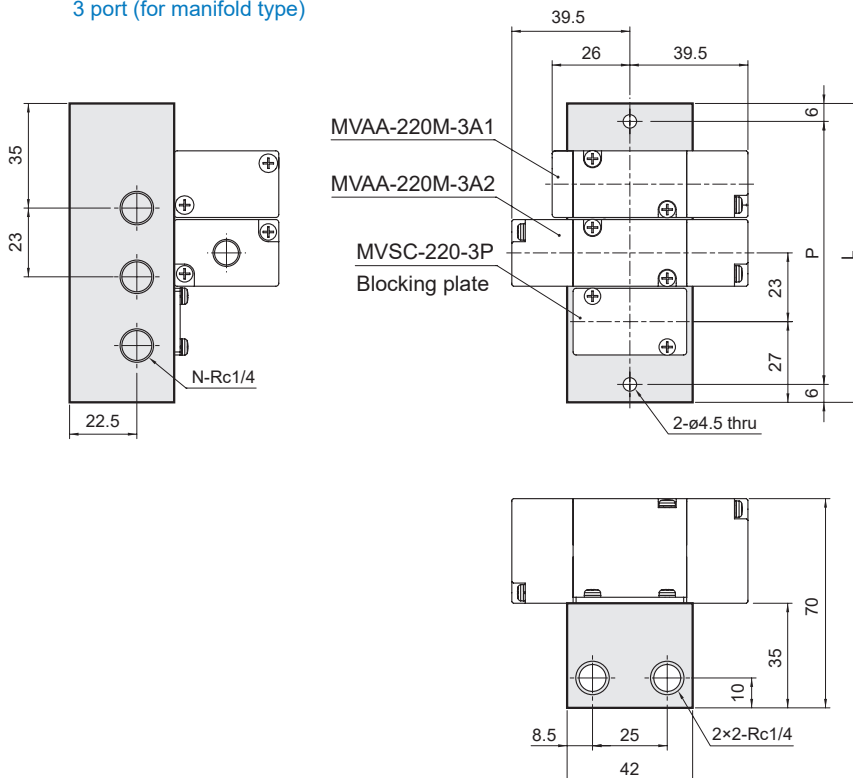
P: (No.of stations-1)×23+42

L: (No.of stations-1)×23+54

MVSC-220-3M*

* Use the same manifold with MVSC.

3 port (for manifold type)



No. of stations (N)	P	L
1	42	54
2	65	77
3	88	100
4	111	123
5	134	146
6	157	169
7	180	192
8	203	215
9	226	238
10	249	261

P: (No.of stations-1)×23+42

L: (No.of stations-1)×23+54