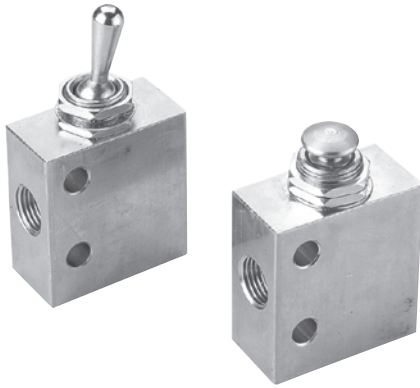


MVHA-31* series

HAND VALVE



Specification

Model	MVHA-31V	MVHA-31P
Bore No.	6A	
Port size	1/8	
No. of port	3	
No. of position	2	
Medium	Air	
Operating pressure range	0~0.9 MPa	
Effective orifice	4.5 mm ²	
Ambient temperature	-5~+60°C (No freezing)	
Weight	53 g	50 g

Order example

MVHA - 31V - G

MODEL

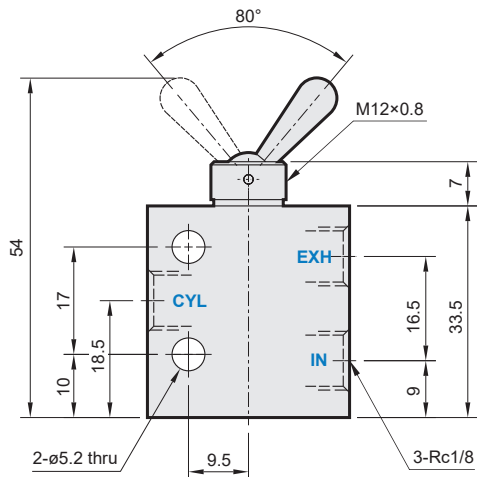
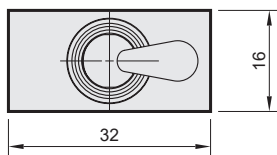
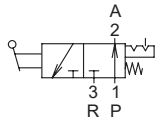
3: 3way (3 port)

V: V toggle
P: Push button

PORT THREAD
Blank: Rc thread
G: G thread
NPT: NPT thread

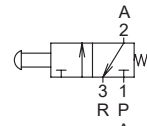
MVHA-31V

NO



MVHA-31P

NC



NO

