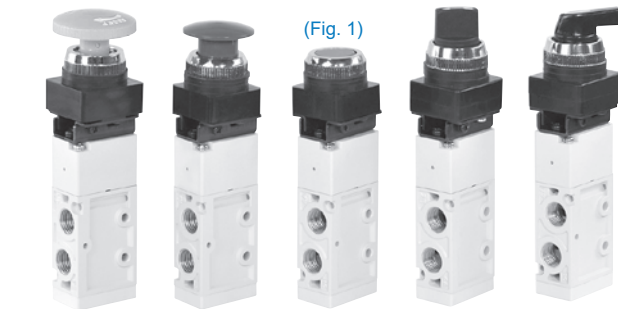


# MVMB-220-4\*\* series

MECHANICAL VALVE



(Fig. 1)

## Specification

Model	MVMB-220-4**
Bore No.	8A
Port size	1/4
No. of port	5
No. of position	2
Medium	Air
Operating pressure range	0.15~0.8 MPa
Proof pressure	1 MPa
Effective orifice	18 mm <sup>2</sup>
Ambient temperature	-5~+60°C (No freezing)
Weight	180 g

Actuator-holder

(Fig. 2)

- Type  $\phi 22$ , the body and actuator-holder in (Fig. 2).
- Type  $\phi 22$  can set or release button by simply switching actuator-holder.
- Type  $\phi 25$ ,  $\phi 30$  fix bracket in (Fig. 1).
- Type  $\phi 25$ ,  $\phi 30$  Actuator set or released by screwdriver.
- If choosing type 4B1-22, it needs an extra order of Actuator-holder when a button is needed.

## Order example

MVMB - 220 - 4EB - 25R - G

MODEL

BODY WIDTH

4: 4way (5 port)

BUTTON SIZE

22:  $\phi 22$   
25:  $\phi 25$   
30:  $\phi 30$

PORT THREAD

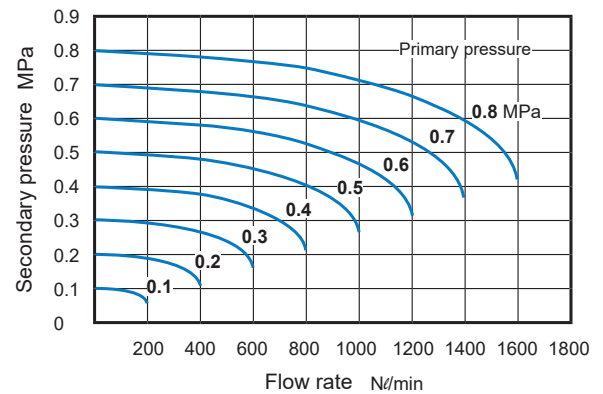
Blank: Rc thread  
G: G thread  
NPT: NPT thread

B1: Body (without button)  
EB: Latching palm button  
LB: Extended twist button  
TB: Twist button  
PB: Mushroom palm button  
PP: Push button

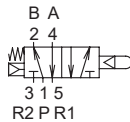
BUTTON COLOR

Color	Type
—	B1 type
G: Green	EB type (Green color only for $\phi 25$ , $\phi 30$ )
R: Red	LB type TB type
B: Black	PB type
G: Green	PP type
R: Red	

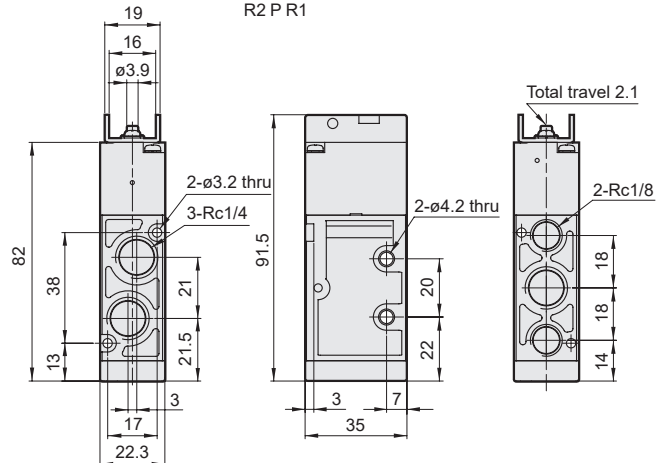
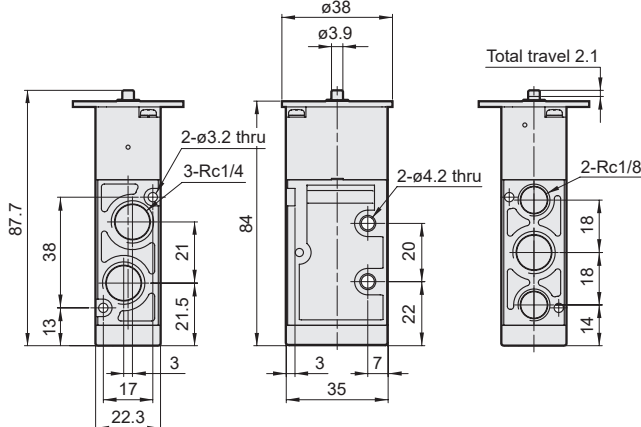
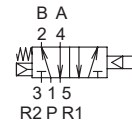
## Flow features



### 4B1-22



### 4B1-25/30

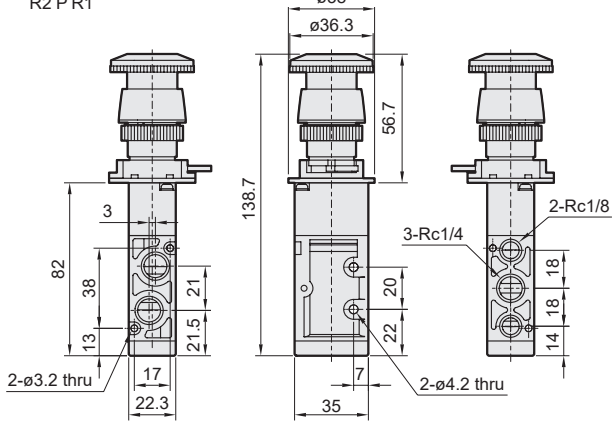
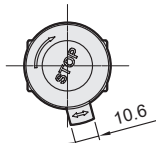
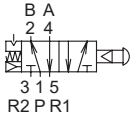


# MVMB-220-4\*\* Dimensions

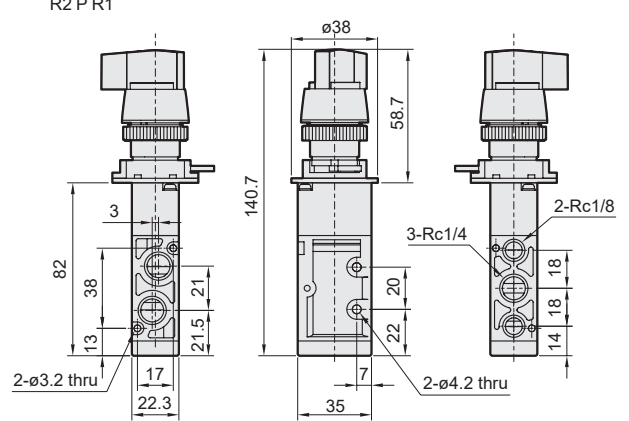
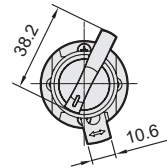
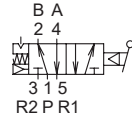
## MECHANICAL VALVE



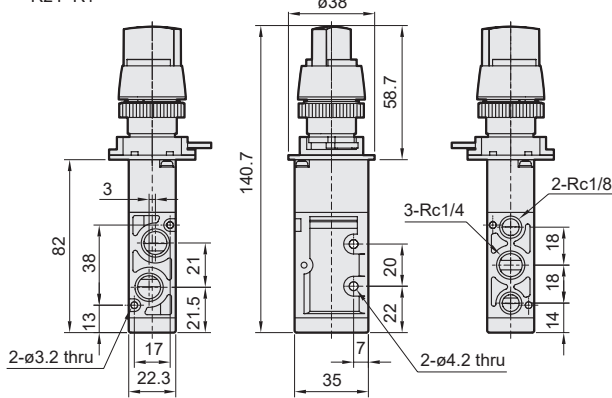
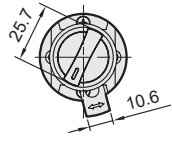
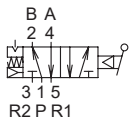
### 4EB-22



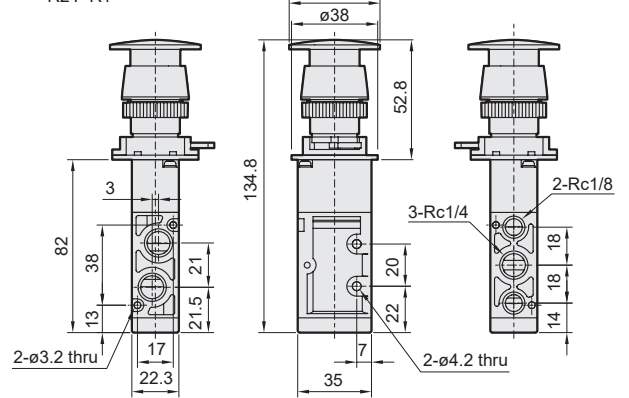
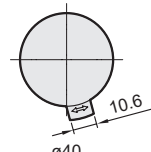
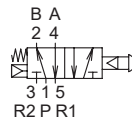
### 4LB-22



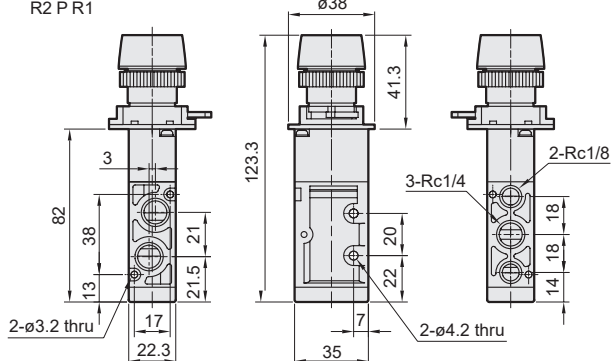
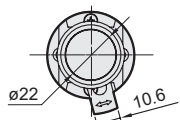
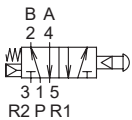
### 4TB-22



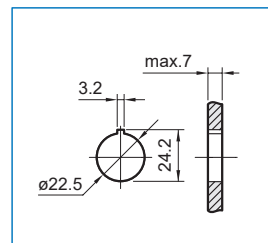
### 4PB-22



### 4PP-22



### Panel mounting hole

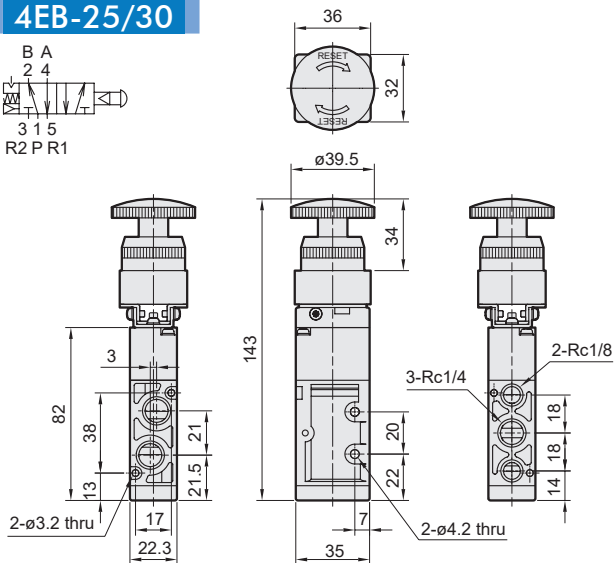
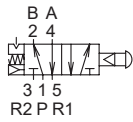


# MVMB-220-4\*\* Dimensions

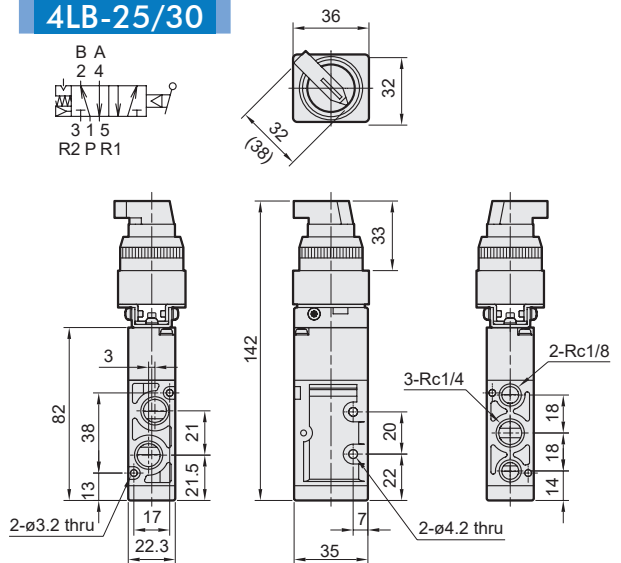
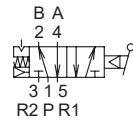
## MECHANICAL VALVE



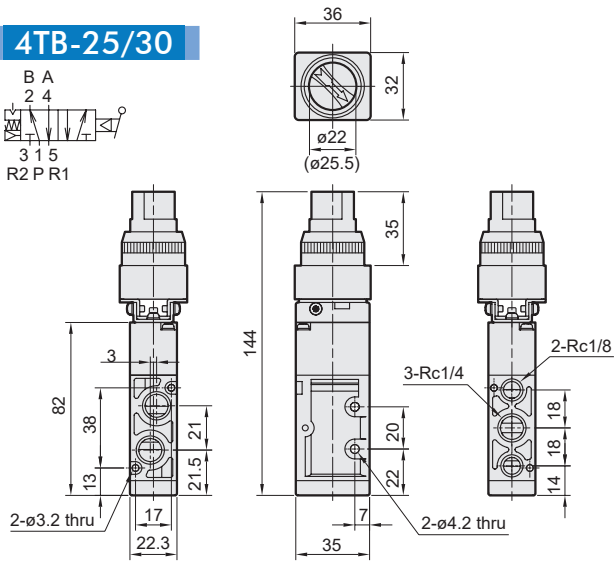
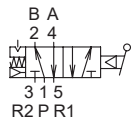
### 4EB-25/30



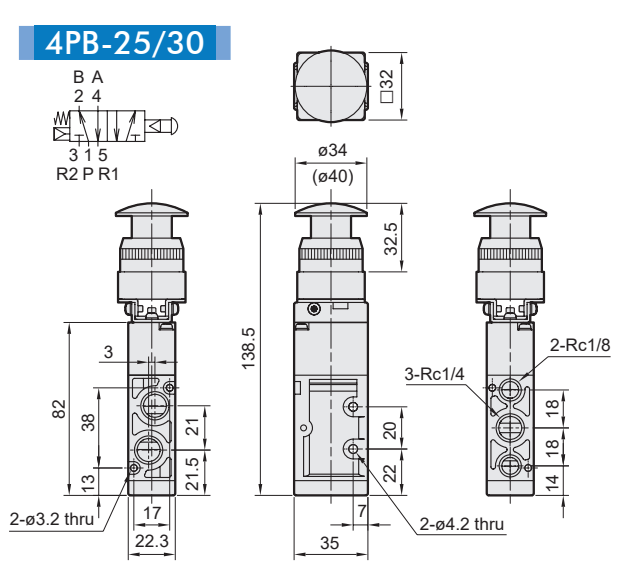
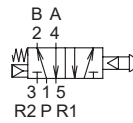
### 4LB-25/30



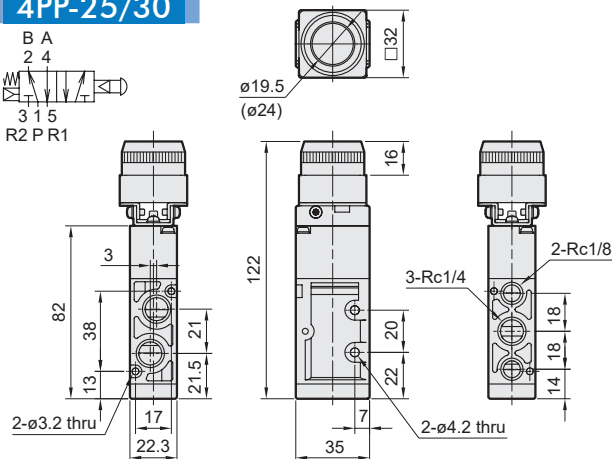
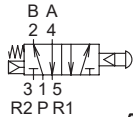
### 4TB-25/30



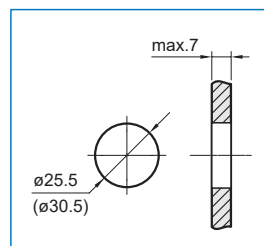
### 4PB-25/30



### 4PP-25/30



### Panel mounting hole



( ) : Dimension for button size ø30.