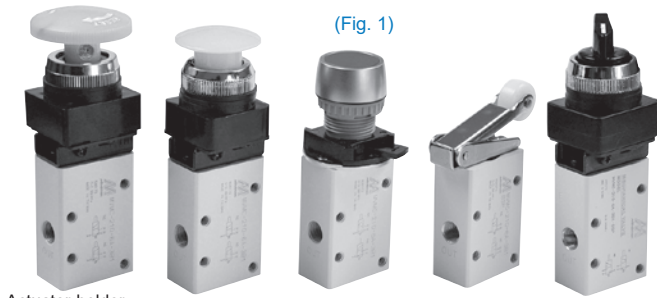


# MVMC-210 series

MECHANICAL VALVE



(Fig. 1)

## Specification

Model	MVMC-210	
Bore No.	6A	8A
Port size	1/8	1/4
No. of port	3	
No. of position	2	
Medium	Air	
Operating pressure range	0~1 MPa	
Proof pressure	1 MPa	
Effective orifice	19 mm <sup>2</sup>	
Ambient temperature	-5~+60°C (No freezing)	
Weight	155 g	

Actuator-holder



(Fig. 2)

- Type ø22, the body and actuator-holder in (Fig. 2).
- Type ø22 can set or release button by simply switching actuator-holder.
- Type ø25, ø30 fix bracket in (Fig. 1).
- Type ø25, ø30 Actuator set or released by screwdriver.
- If choosing type 3B1-22, it needs an extra order of Actuator-holder when a button is needed.

## Order example

MVMC - 210 - 6A - 3EB - 25R - G

MODEL

BODY WIDTH

BORE SIZE  
6A: 1/8  
8A: 1/4

3: 3way  
(3 port)

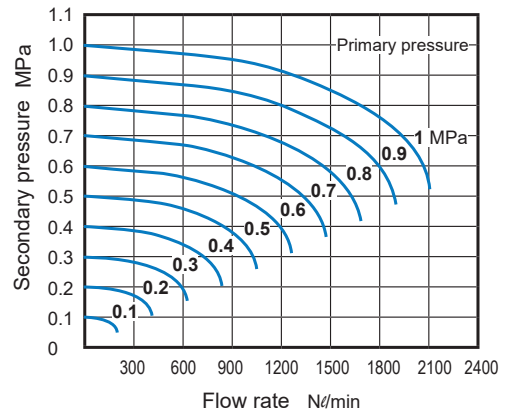
BUTTON SIZE  
22: ø22  
25: ø25  
30: ø30

PORT THREAD  
Blank: Rc thread  
G: G thread  
NPT: NPT thread

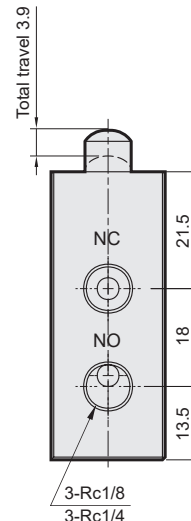
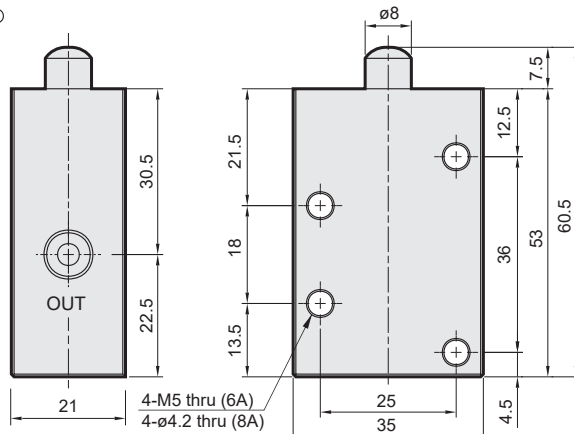
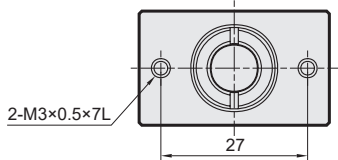
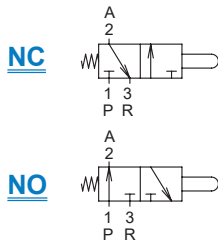
- BUTTON COLOR
- B1: Body (without button)
  - R1: Roller lever
  - EB: Latching palm button
  - LB: Extended twist button
  - TB: Twist button
  - PB: Mushroom palm button
  - PP: Push button

Color	Type
—	B1 type R1 type
G: Green	EB type (Green color only for ø25, ø30)
R: Red	LB type TB type
B: Black	PB type PP type

## Flow features



## MVMC-210-3B1

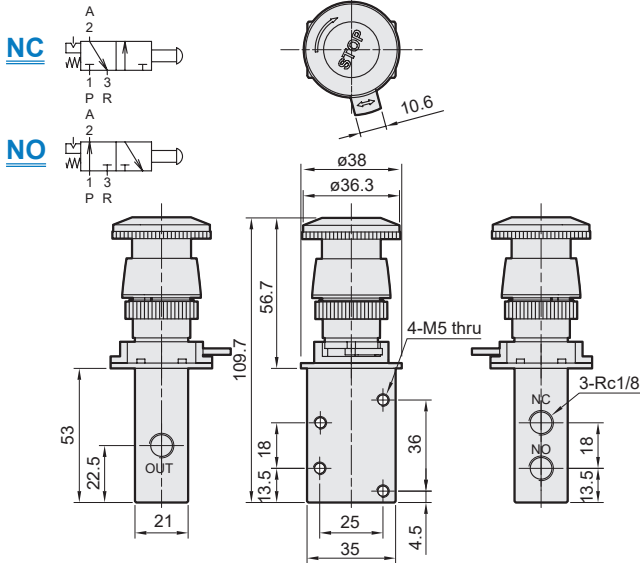


# MVMC-210 Dimensions

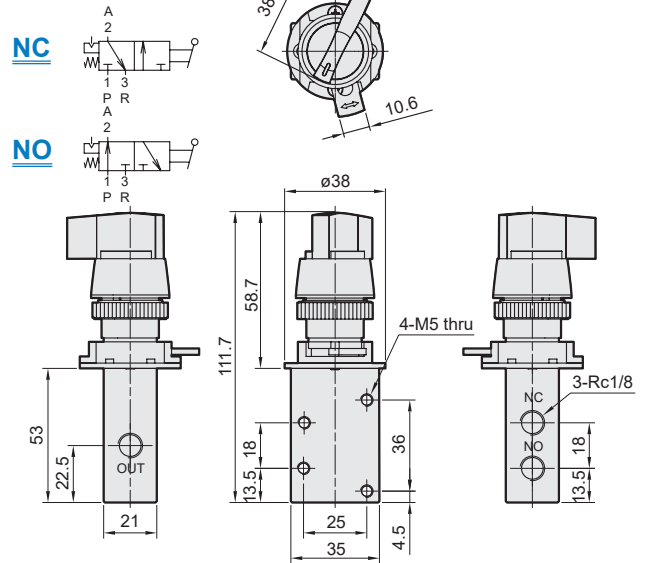
## MECHANICAL VALVE



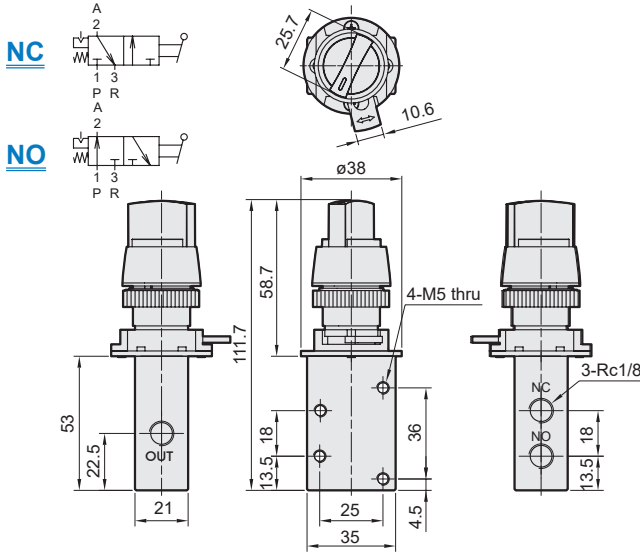
### 3EB-22



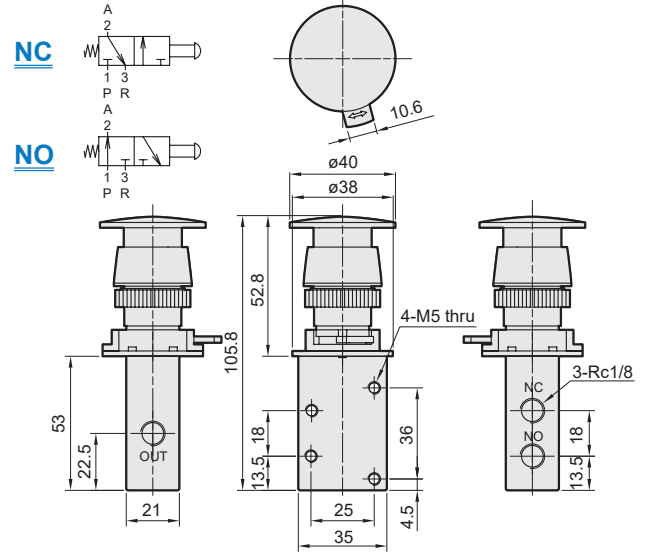
### 3LB-22



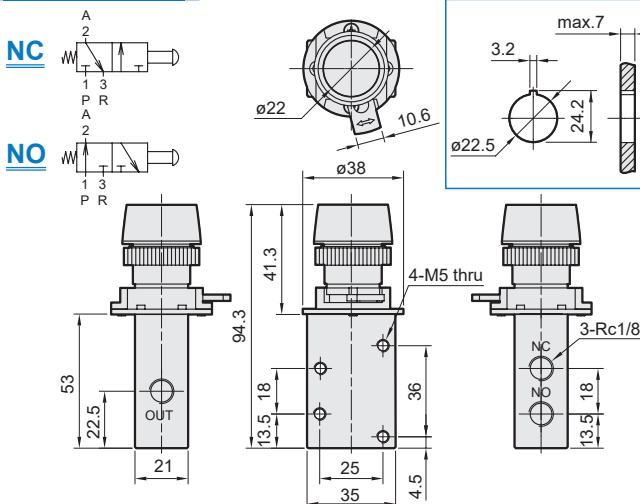
### 3TB-22



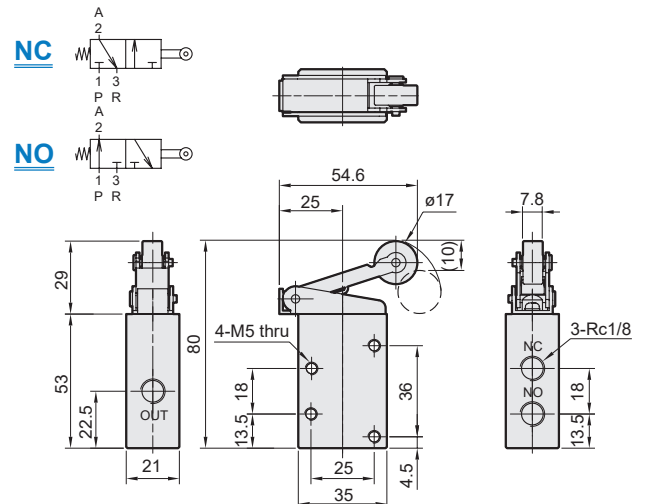
### 3PB-22



### 3PP-22



### 3R1

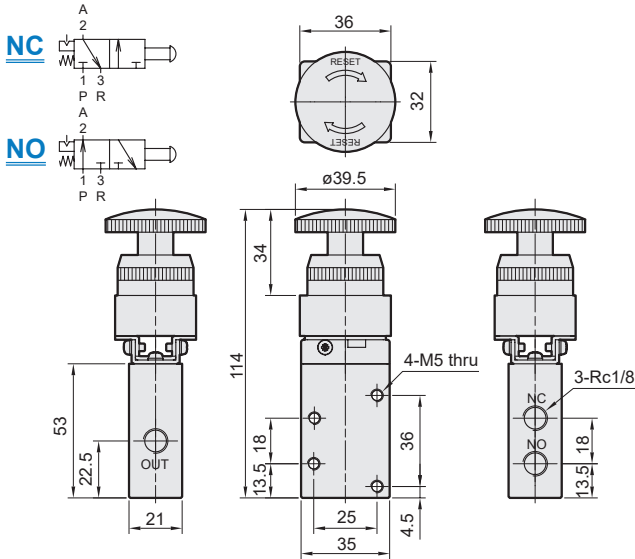


# MVMC-210 Dimensions

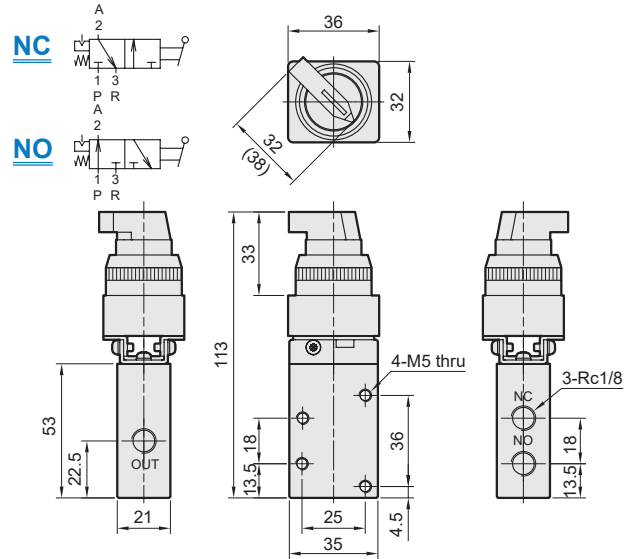
## MECHANICAL VALVE



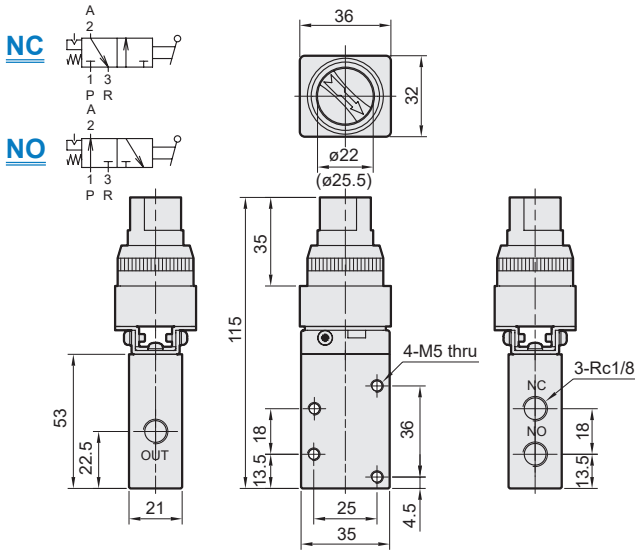
### 3EB-25/30



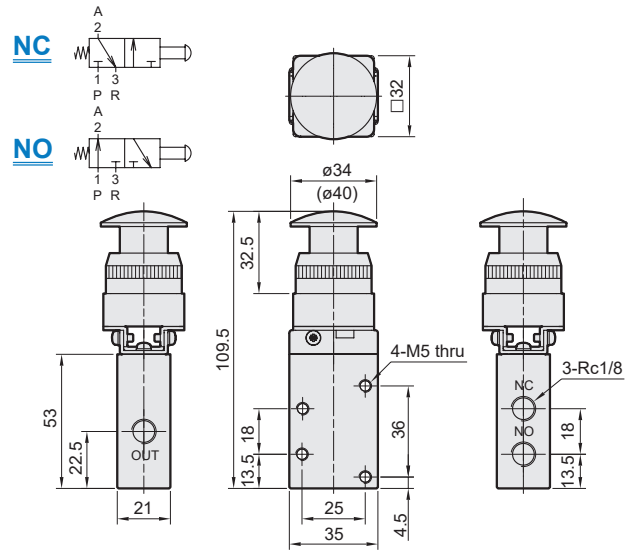
### 3LB-25/30



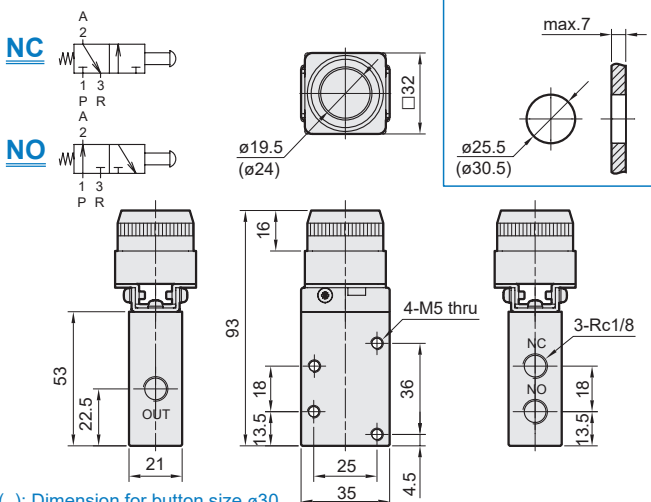
### 3TB-25/30



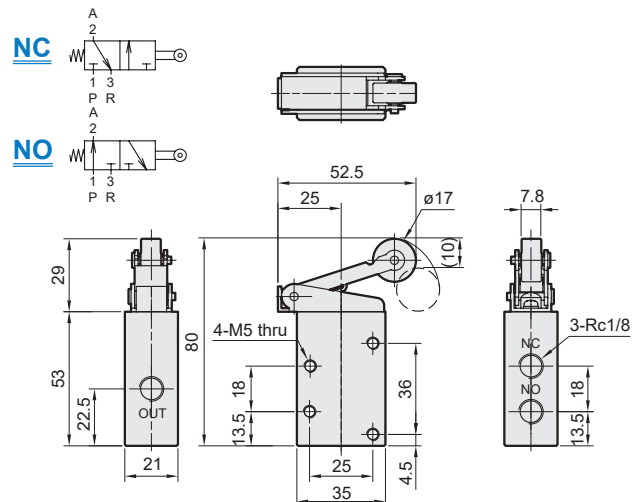
### 3PB-25/30



### 3PP-25/30



### 3R1



( ): Dimension for button size  $\phi 30$ .