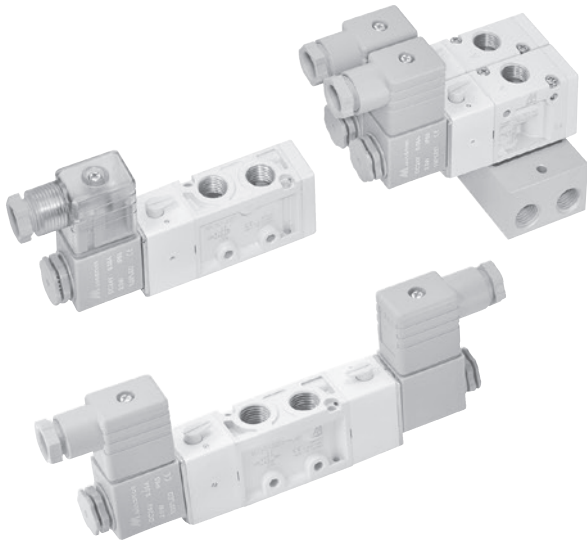


# MVSC-220 series

## SOLENOID VALVE



mindman



### Specification

Model	3E1	3E2	4E1	4E2	4E2 C.P.R
Bore No.	8A		6A, 8A		
Port size	1/4		1/8, 1/4		
No. of port	3		5		
No. of position	2		2	3	
Medium	Air				
Operating pressure range	0.2~0.8 MPa			0.3~0.8 MPa	
Operating pressure (LP)	0~0.8 MPa				
Pilot pressure range (LP)	(0.34×P*+0.1)~0.5 MPa				
Proof pressure	1 MPa				
Effective orifice	18 mm <sup>2</sup>			16 mm <sup>2</sup>	
Response time	30 ms			40 ms	
Ambient temperature	-5~+50°C (No freezing)				
Voltage	AC110V, 220V, 24V (50/60)Hz, DC24V, 12V				
Power consumption	AC=4.8/4.4VA, 6/4.9VA, 6.7/5.4VA, DC=2W, 2.5W				
Available voltage range	±10%				
Insulation class	F class				
Weight	181 g	294 g	198 g	313 g	352 g

\* P: Operating pressure

### Order example of valve

MVSC – 220M – 4E2C – NC – □ – AC110 – L – LP – G

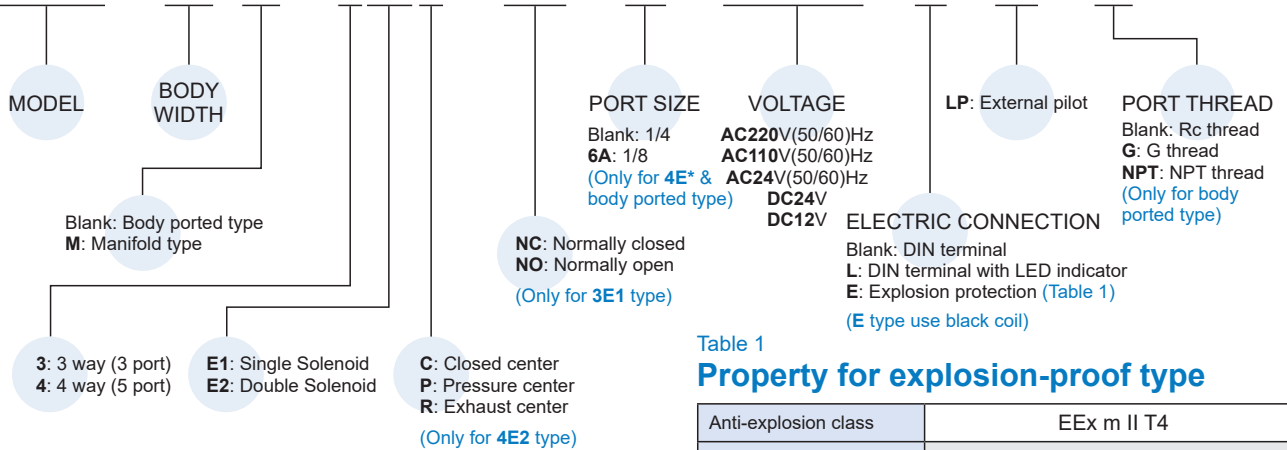


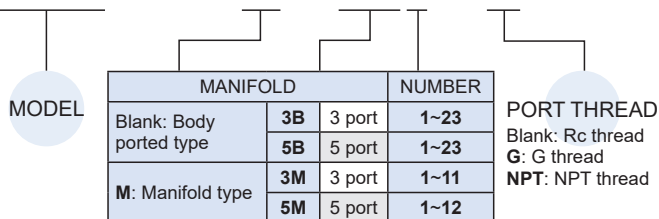
Table 1

### Property for explosion-proof type

Anti-explosion class	EEx m II T4
Voltage	AC110V, 220V, (50/60)Hz, DC24V.
Power consumption	AC=4.4VA DC=5W
Available voltage range	±10%
Insulation class	F class
Wire length	3 m

### Order example of manifold

MVSC – 220M – 5M3 – G



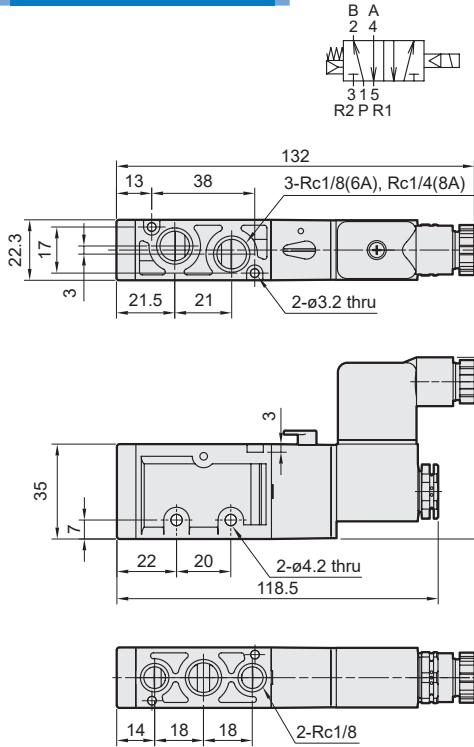
\* Starting from 11 stations, manifolds are made to order.

# MVSC-220 Dimensions

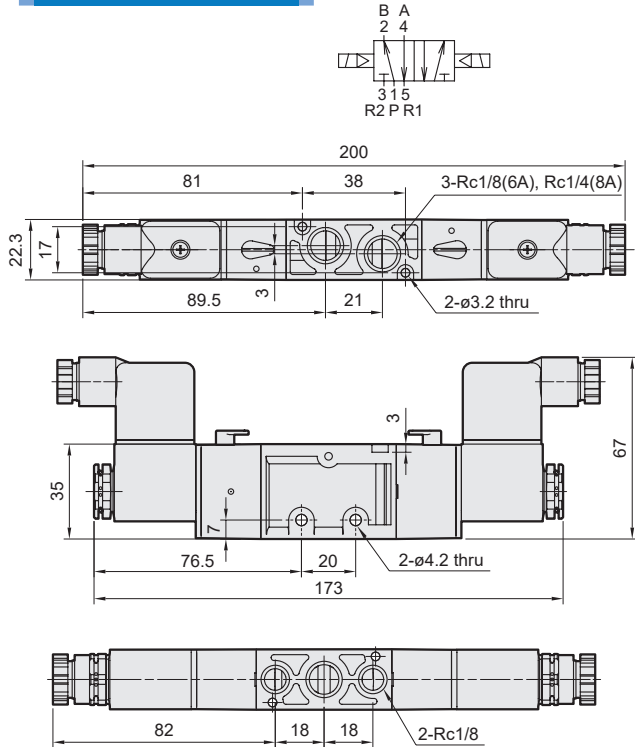
## SOLENOID VALVE



### MVSC-220-4E1



### MVSC-220-4E2

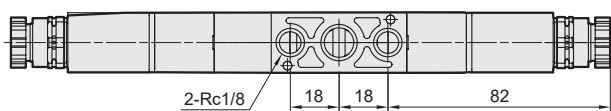
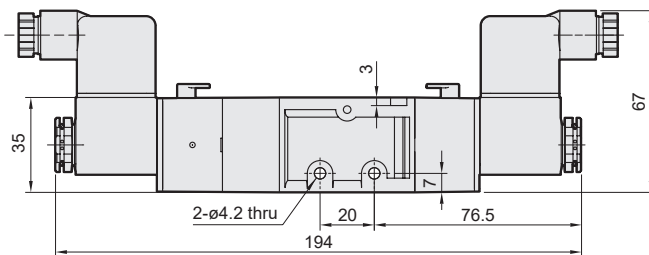
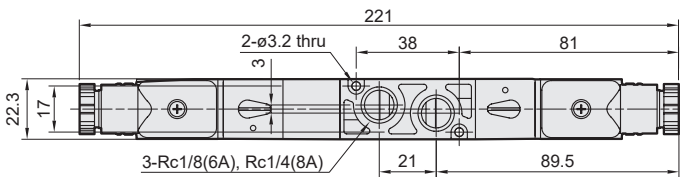
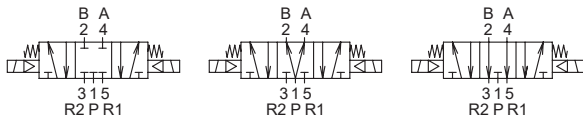


### MVSC-220-4E2C.PR

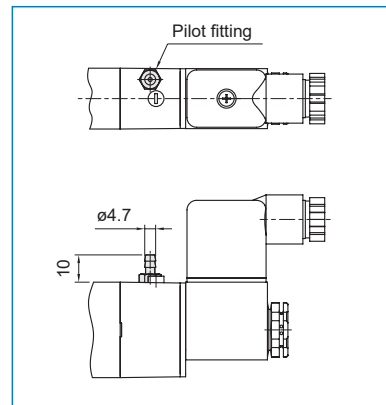
#### MVSC-220-4E2C

#### MVSC-220-4E2P

#### MVSC-220-4E2R

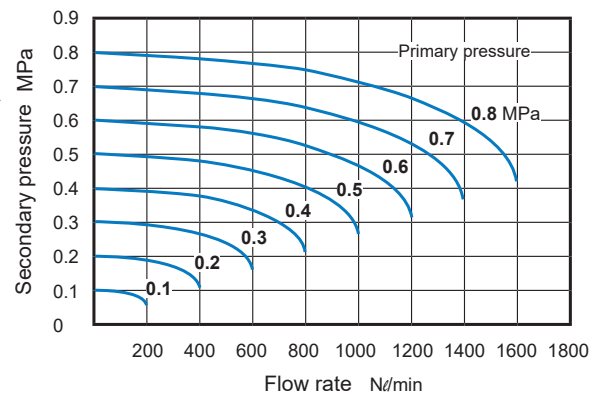


### LP



### Flow features

#### MVSC-220-3E1/3E2/4E1/4E2

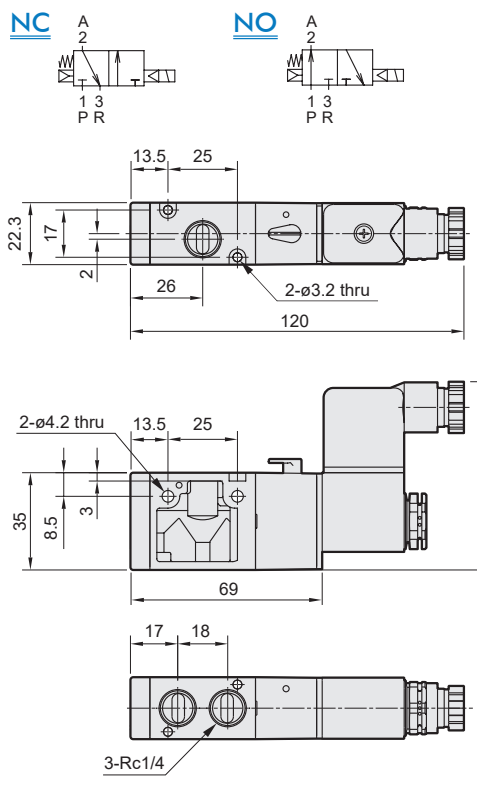


# MVSC-220 Dimensions

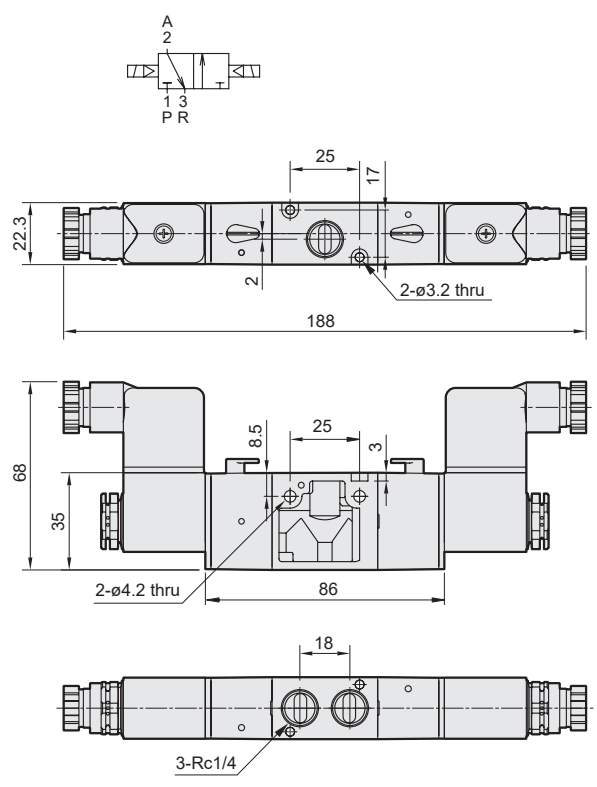
## SOLENOID VALVE



### MVSC-220-3E1-NC/NO



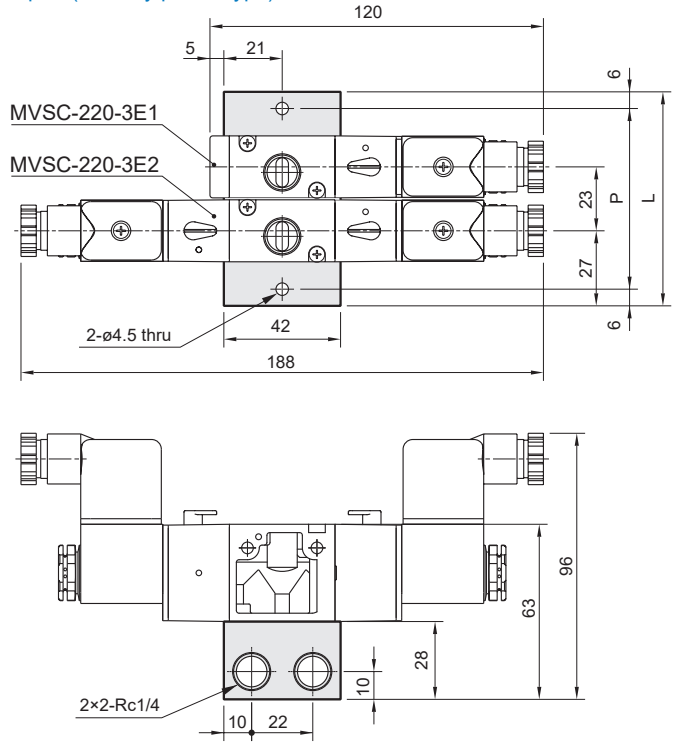
### MVSC-220-3E2



## Manifold of solenoid valve

### MVSC-220-3B\*

3 port (for body ported type)



No. of stations	P	L
1	42	54
2	65	77
3	88	100
4	111	123
5	134	146
6	157	169
7	180	192
8	203	215
9	226	238
10	249	261

P: (No. of stations-1)×23+42  
L: (No. of stations-1)×23+54

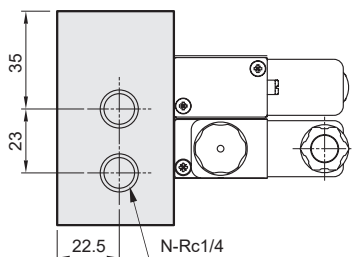
# MVSC-220 Manifold

## SOLENOID VALVE



### MVSC-220M-3M\*

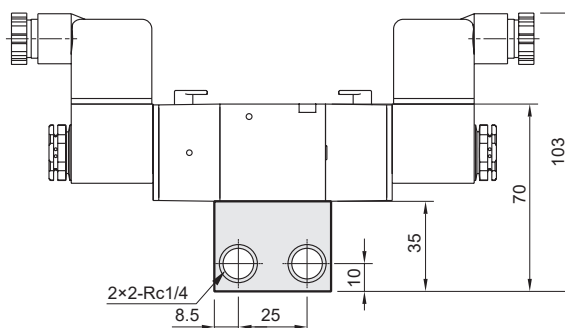
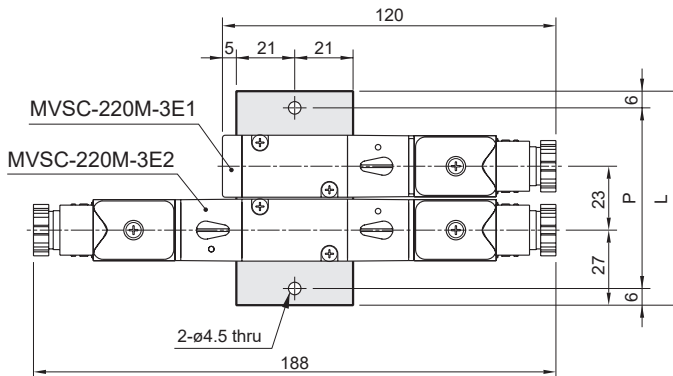
3 port (for manifold type)



No. of stations (N)	P	L
1	42	54
2	65	77
3	88	100
4	111	123
5	134	146
6	157	169
7	180	192
8	203	215
9	226	238
10	249	261

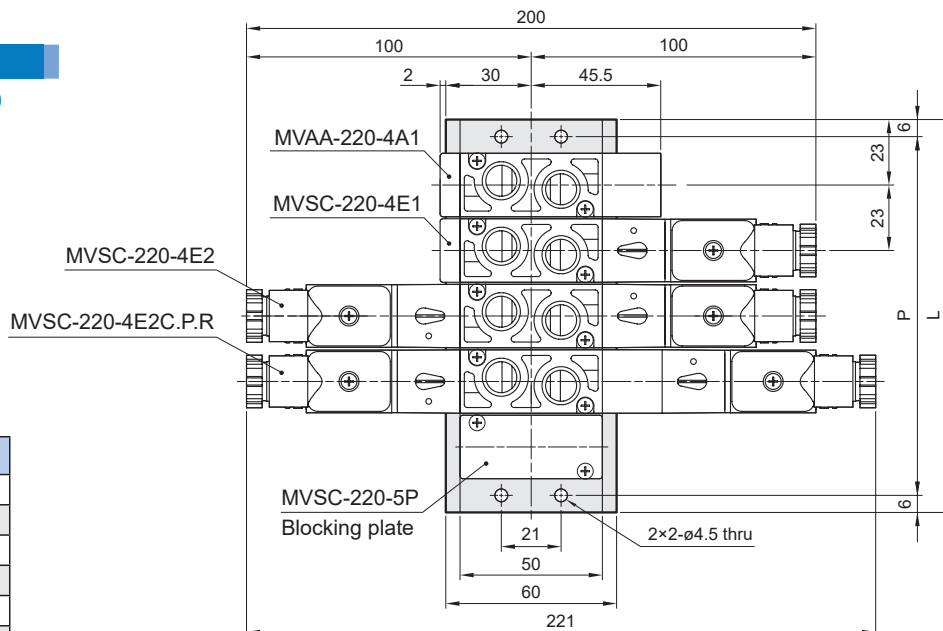
P: (No. of stations-1)×23+42

L: (No. of stations-1)×23+54



### MVSC-220-5B\*

5 port (for body ported type)



No. of stations	P	L
1	34	46
2	57	69
3	80	92
4	103	115
5	126	138
6	149	161
7	172	184
8	195	207
9	218	230
10	241	253

P: (No. of stations-1)×23+34

L: (No. of stations-1)×23+46

