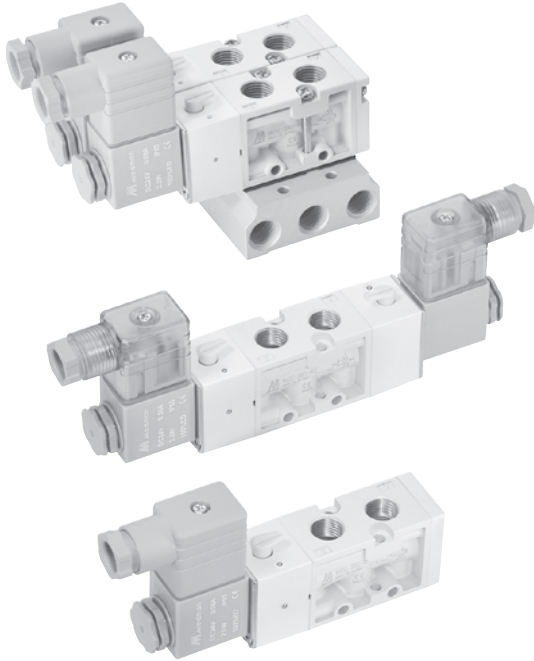


MVSC-260 series

SOLENOID VALVE



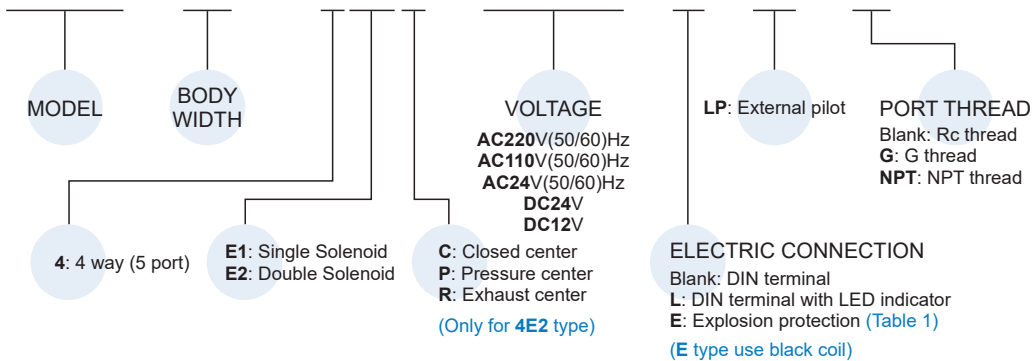
Specification

Model	4E1	4E2	4E2 C.P.R
Bore No.	8A		
Port size	1/4		
No. of port	5		
No. of position	2	3	
Medium	Air		
Operating pressure range	0.2~0.8 MPa		0.3~0.8 MPa
Operating pressure (LP)	0~0.8 MPa		
Pilot pressure range (LP)	(0.34×P*+0.1)~0.5 MPa		
Proof pressure	1 MPa		
Effective orifice	18 mm ²		16 mm ²
Response time	40 ms		
Ambient temperature	-5~+50°C (No freezing)		
Voltage	AC110V, 220V, 24V (50/60)Hz, DC24V, 12V		
Power consumption	AC=4.8/4.4VA, 6/4.9VA, 6.7/5.4VA, DC=2W, 2.5W		
Available voltage range	±10%		
Insulation class	F class		
Weight	203 g	322 g	327 g

* P: Operating pressure

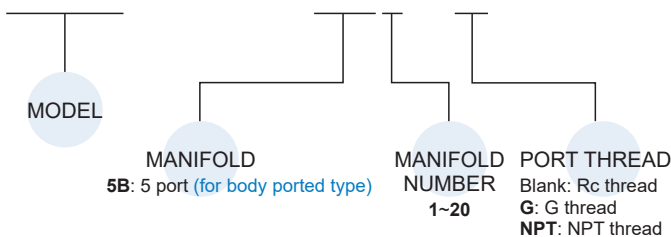
Order example of valve

MVSC – 260 – 4E2C – AC110 – L – LP – G



Order example of manifold

MVSC – 260 – 5B3 – G



* Starting from 11 stations, manifolds are made to order.

Table 1

Property for explosion-proof type

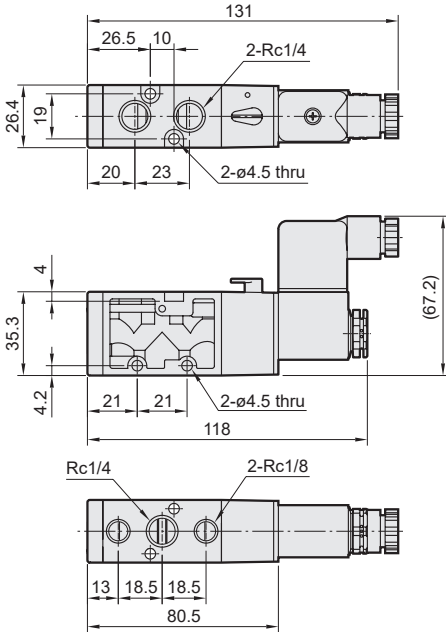
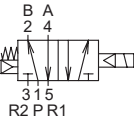
Anti-explosion class	EEx m II T4
Voltage	AC110V, 220V, (50/60)Hz, DC24V.
Power consumption	AC=4.4VA DC=5W
Available voltage range	±10%
Insulation class	F class
Wire length	3 m

MVSC-260 Dimensions

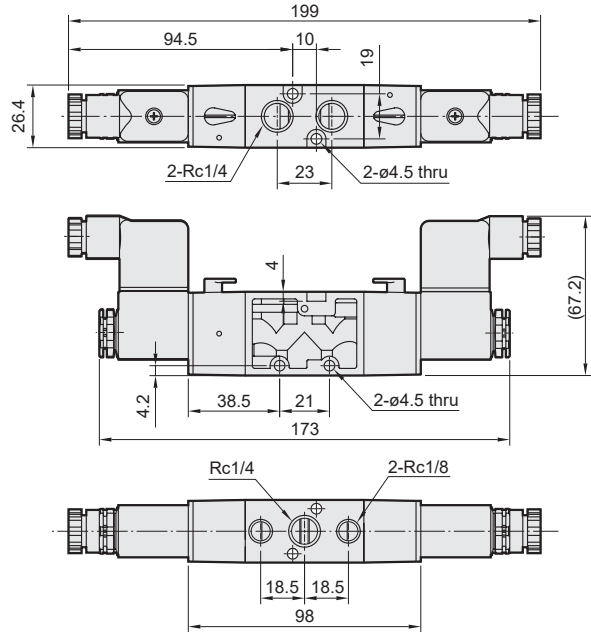
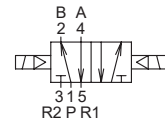
SOLENOID VALVE



MVSC-260-4E1



MVSC-260-4E2

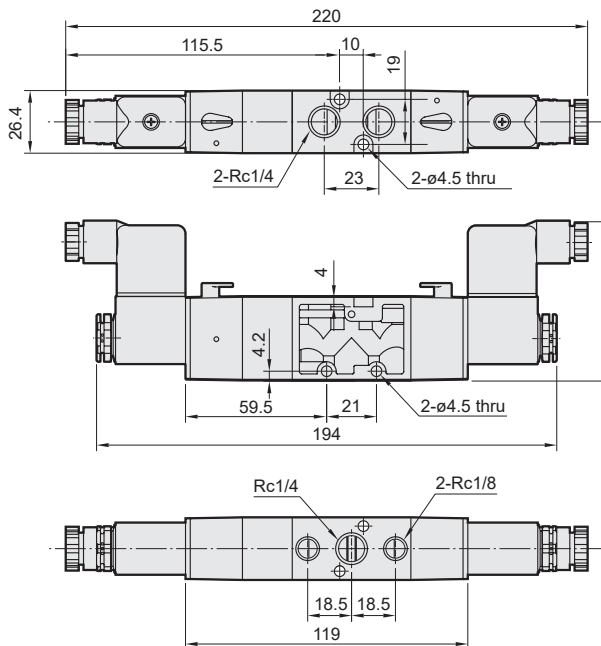
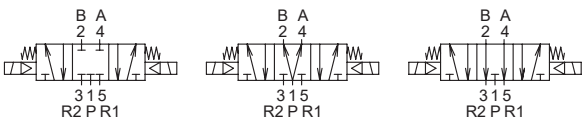


MVSC-260-4E2C.P.R

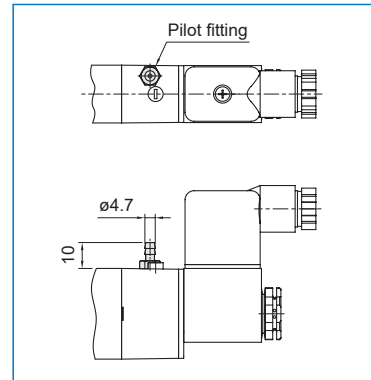
MVSC-260-4E2C

MVSC-260-4E2P

MVSC-260-4E2R

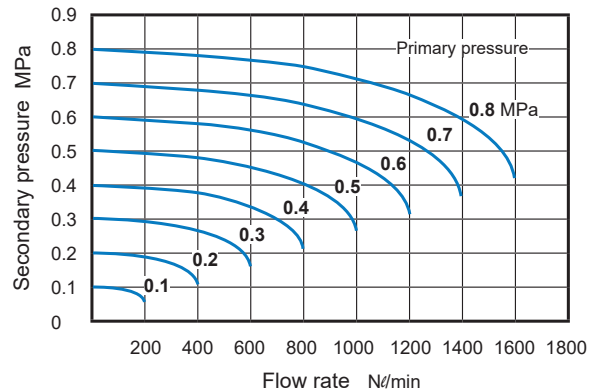


LP



Flow features

MVSC-260-4E1/4E2



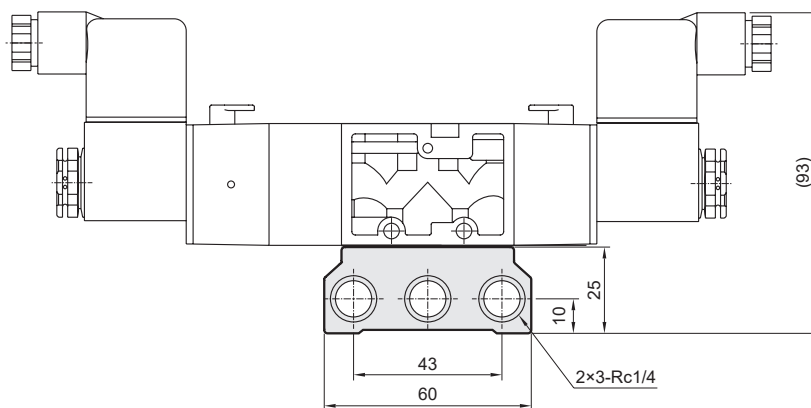
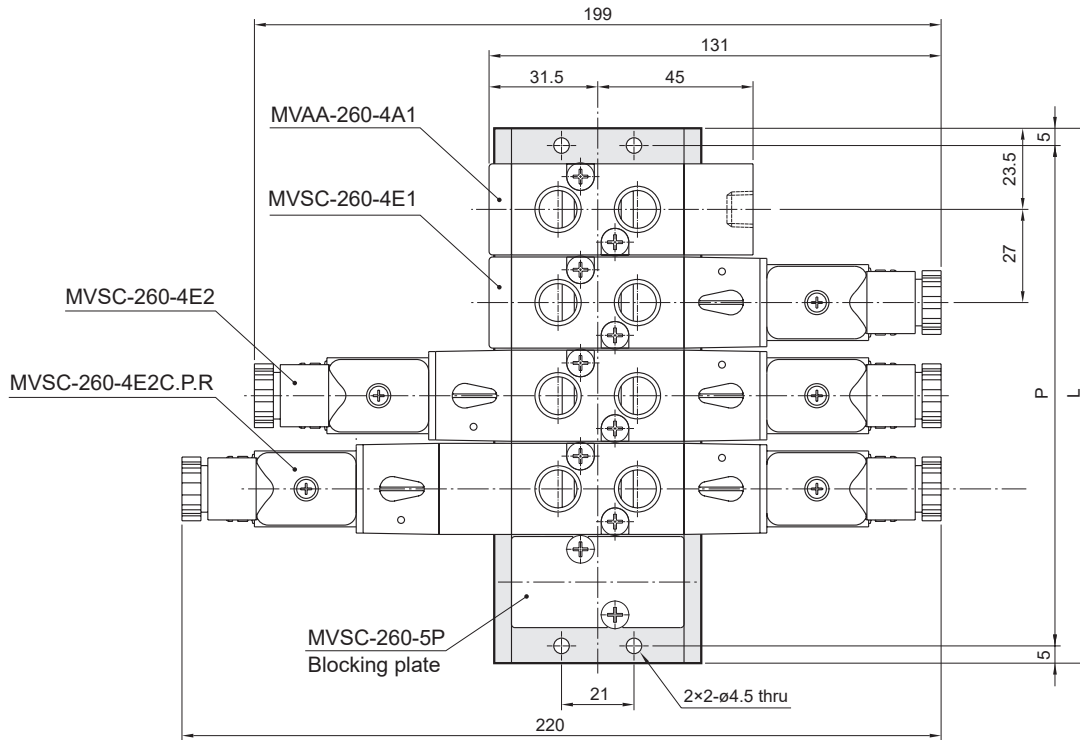
MVSC-260 Manifold

SOLENOID VALVE



MVSC-260-5B*

5 port (for body ported type)



No. of stations	P	L
1	37	47
2	64	74
3	91	101
4	118	128
5	145	155
6	172	182
7	199	209
8	226	236
9	253	263
10	280	290

P: (No. of stations-1)×27+37
L: (No. of stations-1)×27+47