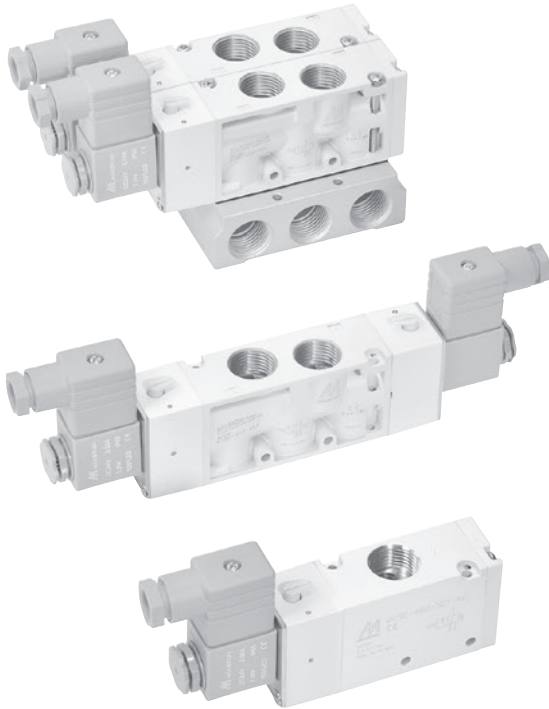


MVSC-460 series

SOLENOID VALVE



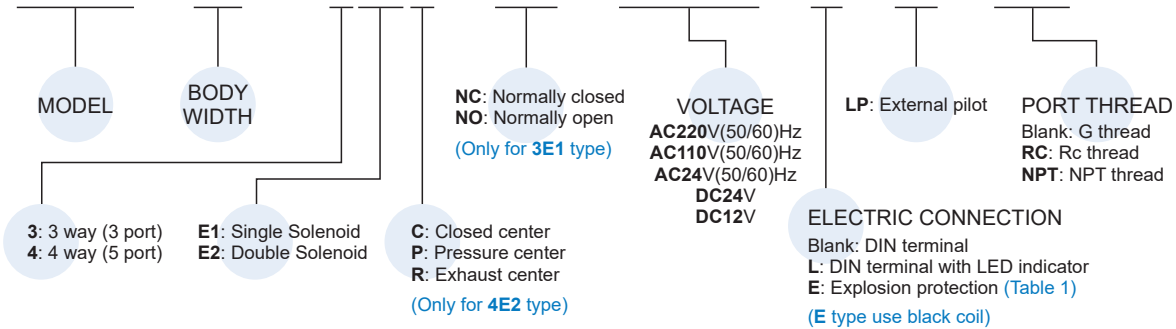
Specification

Model	3E1	3E2	4E1	4E2	4E2 C.P.R
Bore No.	15A				
Port size	1/2				
No. of port	3		5		
No. of position	2			3	
Medium	Air				
Operating perssure range	0.2~0.8 MPa			0.3~0.8 MPa	
Operating pressue (LP)	0~0.8 MPa				
Pilot pressure range (LP)	(0.34×P*+0.1)~0.5 MPa				
Proof pressure	1 MPa				
Effective orifice	60 mm ²	50 mm ²	30 mm ²		
Reponse time	50 ms				
Ambient temperature	-5~+50°C (No freezing)				
Voltage	AC110V, 220V, 24V (50/60)Hz, DC24V, 12V				
Power consumption	AC=4.8/4.4VA, 6/4.9VA, 6.7/5.4VA, DC=2W, 2.5W				
Available voltage range	±10%				
Insulation class	F class				
Weight	325 g	455 g	339 g	464 g	525 g

* P: Operating pressure

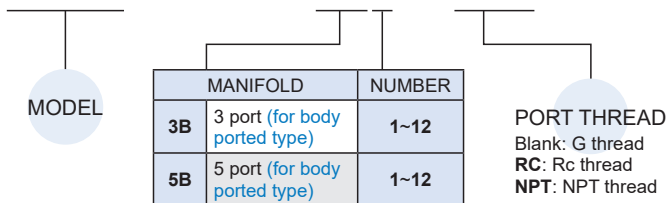
Order example of valve

MVSC – 460 – 4E2C – NC – AC110 – L – LP – NPT



Order example of manifold

MVSC – 460 – 5B3 – NPT



* Starting from 11 stations, manifolds are made to order.

Table 1

Property for explosion-proof type

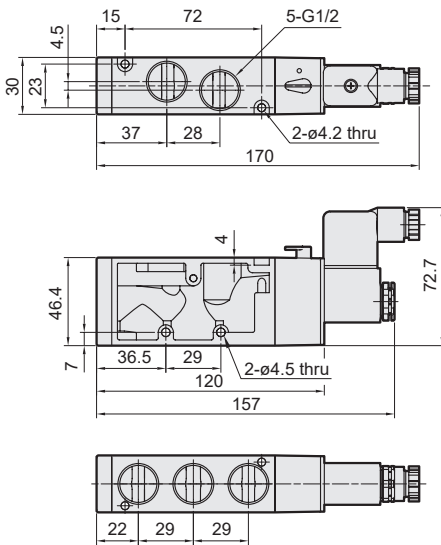
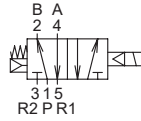
Anti-explosion class	EEx m II T4
Voltage	AC110V, 220V, (50/60)Hz, DC24V.
Power consumption	AC=4.4VA DC=5W
Available voltage range	±10%
Insulation class	F class
Wire length	3 m

MVSC-460 Dimensions

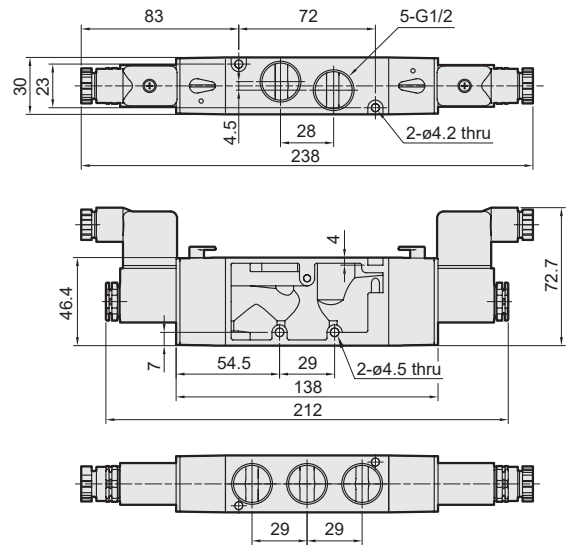
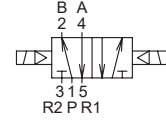
SOLENOID VALVE



MVSC-460-4E1



MVSC-460-4E2

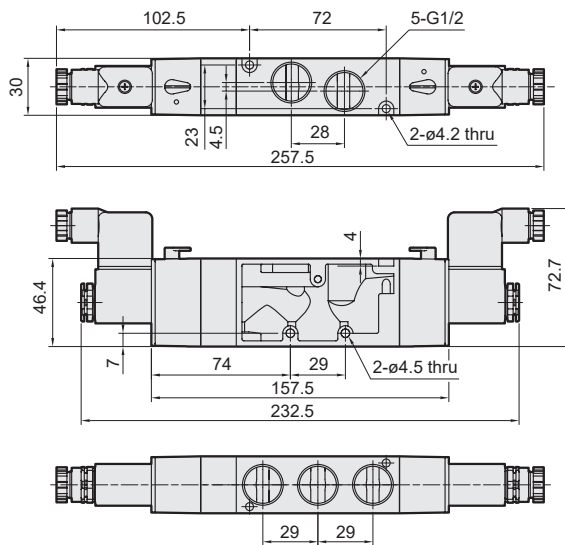
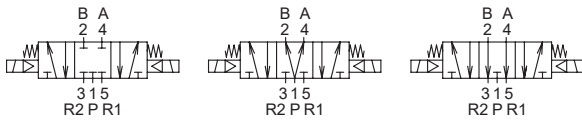


MVSC-460-4E2C.P.R

MVSC-460-4E2C

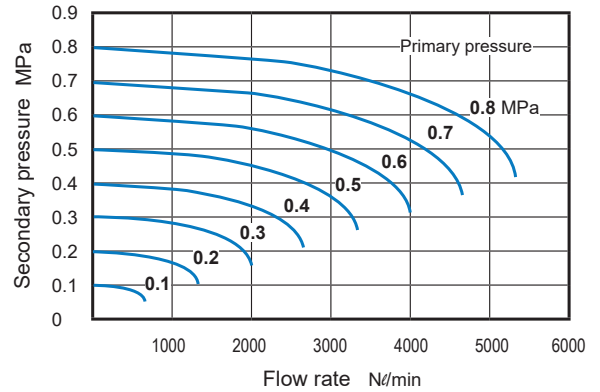
MVSC-460-4E2P

MVSC-460-4E2R

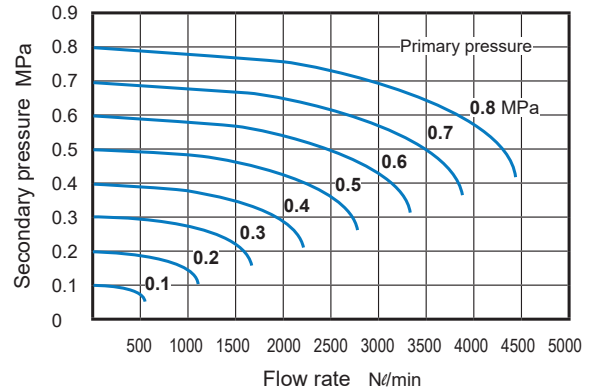


Flow features

MVSC-460-3E1/3E2



MVSC-460-4E1/4E2

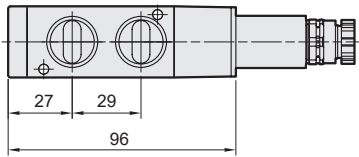
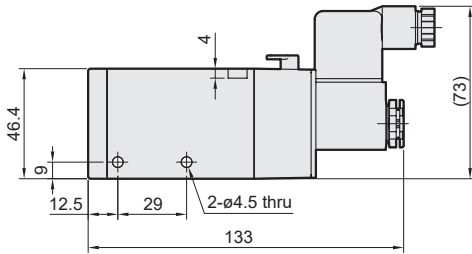
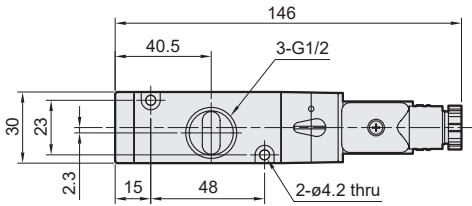
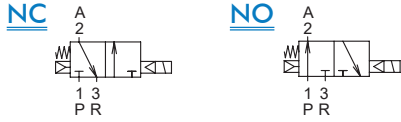


MVSC-460 Dimensions

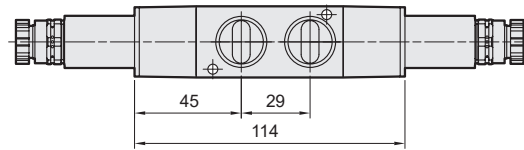
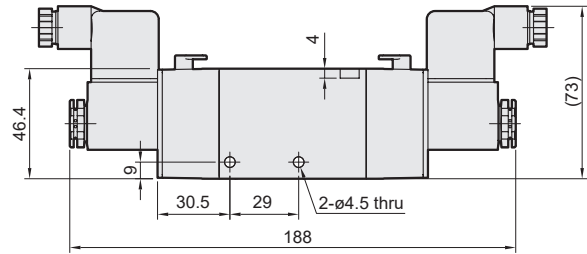
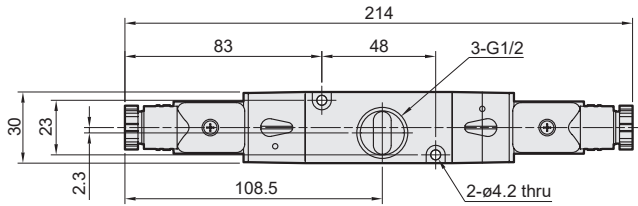
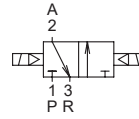
SOLENOID VALVE



MVSC-460-3E1-NC/NO



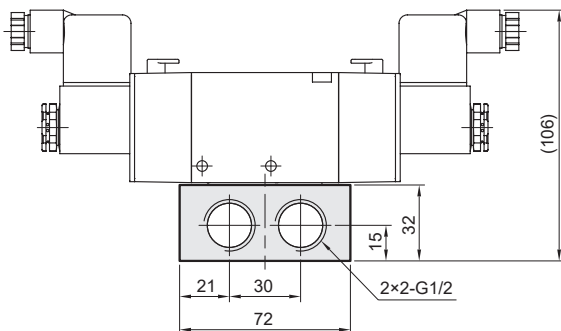
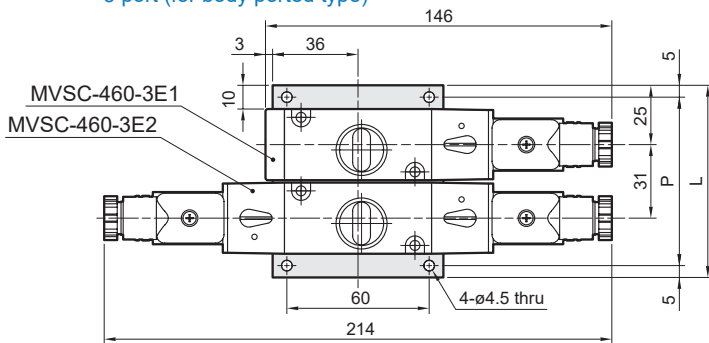
MVSC-460-3E2



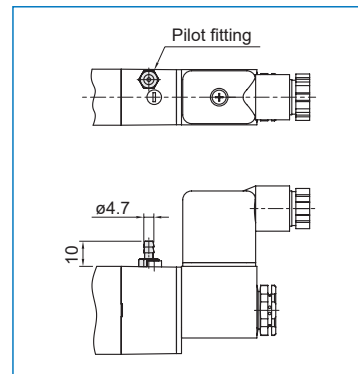
Manifold of solenoid valve

MVSC-460-3B*

3 port (for body ported type)



LP



No. of stations	P	L
1	40	50
2	71	81
3	102	112
4	133	143
5	164	174
6	195	205
7	226	236
8	257	267
9	288	298
10	319	329

P: (No. of stations-1)×31+40
L: (No. of stations-1)×31+50

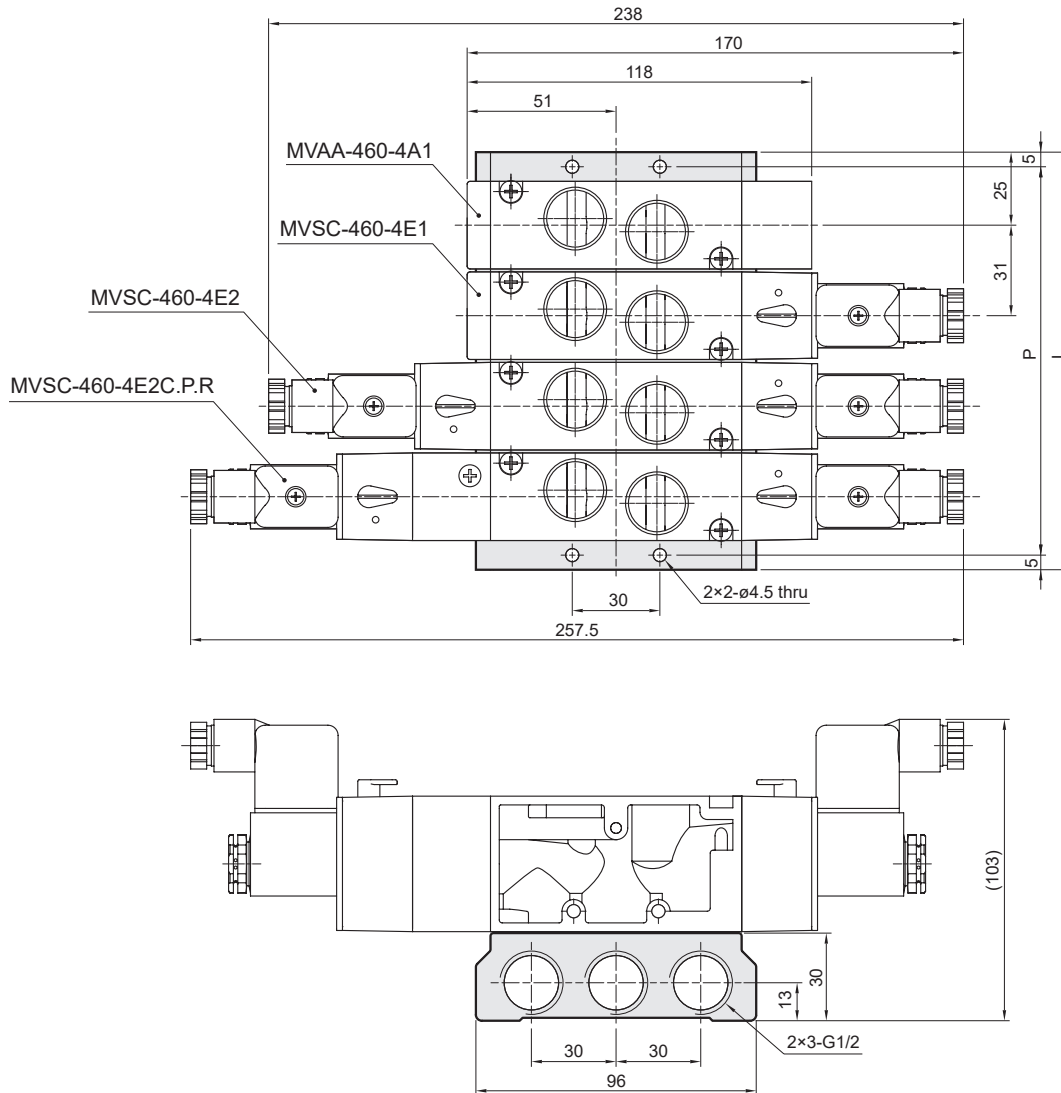
MVSC-460 Manifold

SOLENOID VALVE



MVSC-460-5B*

5 port (for body ported type)



No. of stations	P	L
1	40	50
2	71	81
3	102	112
4	133	143
5	164	174
6	195	205
7	226	236
8	257	267
9	288	298
10	319	329

P: (No. of stations-1)×31+40

L: (No. of stations-1)×31+50