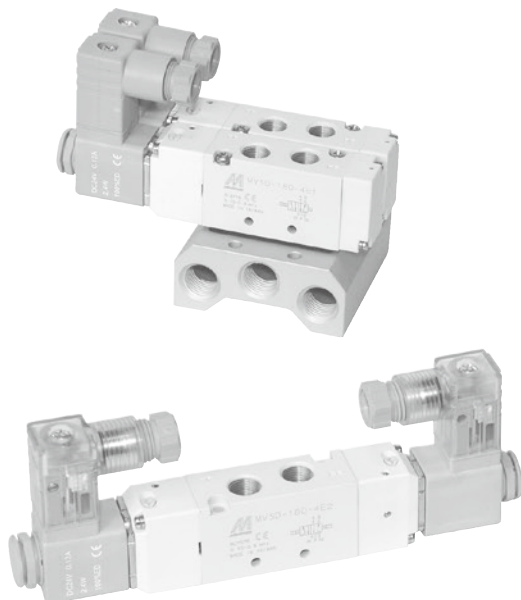


MVSD-180 series

SOLENOID VALVE



Mindman

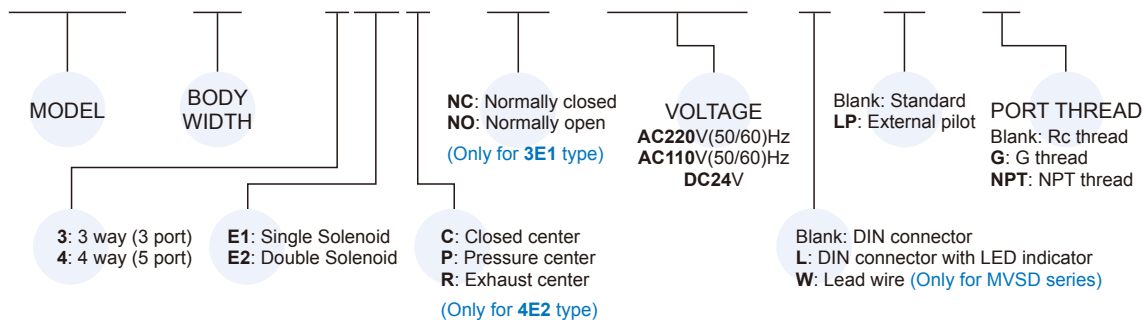


Specification

Model	3E1	3E2	4E1	4E2	4E2 C.P.R
Bore No.	6A				
Port size	Rc1/8				
No. of port	3		5		
No. of position	2			3	
Medium	Air				
Operating pressure range	0.15~0.8 MPa			0.2~0.7 MPa	
Operating pressure (LP)	0~0.8 MPa			0~0.7 MPa	
External pilot pressure (LP)	0.15~0.8 MPa			0.2~0.7 MPa	
Proof pressure	1 MPa				
Effective orifice	15 mm ²		12 mm ²		9 mm ²
Response time	30 ms				
Ambient temperature	-5~+50°C (No freezing)				
Voltage	AC110V, 220V (50/60)Hz, DC24V				
Power consumption	AC=3.7/3.1VA, DC=2.4W				
Available voltage range	±10%				
Insulation class	F class				
Weight	120 g	172 g	124 g	176 g	190 g

Order example of valve

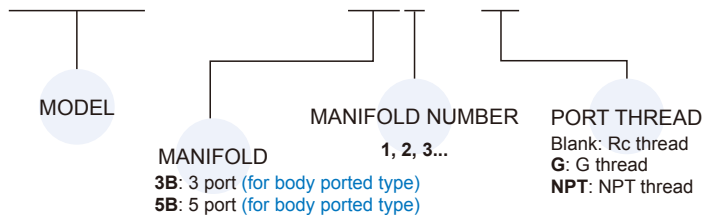
MVSD – 180 – 4E2C – NC – AC110 – L – LP – G



Order example of manifold

* Use the same manifold with MVSC1.

MVSC1 – 180 – 3B3 – G

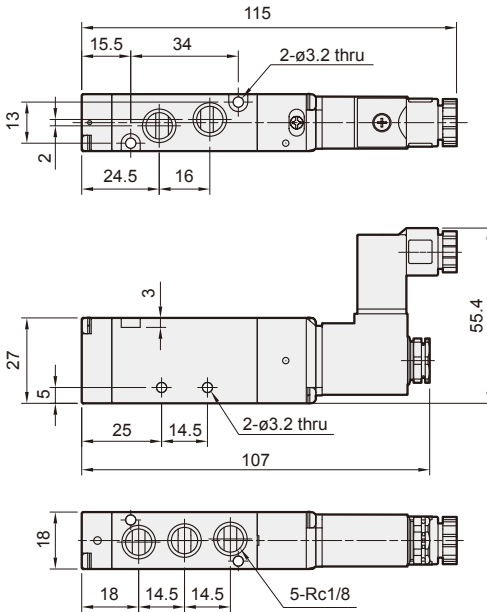
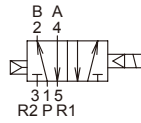


MVSD-180 Dimensions

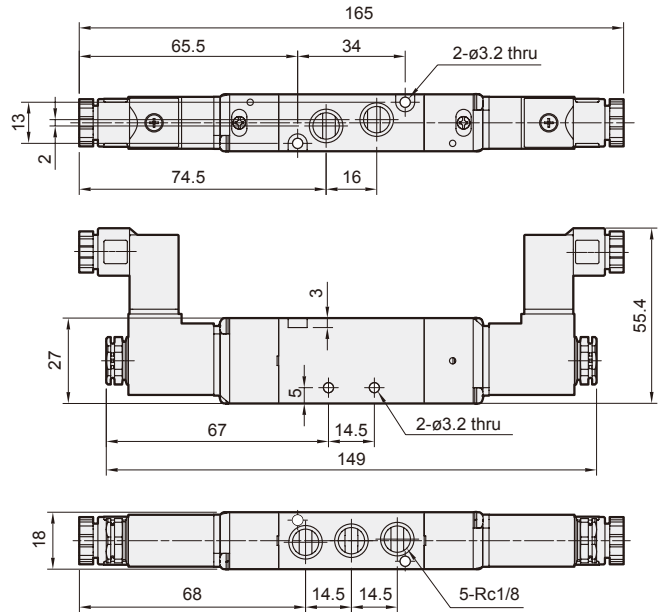
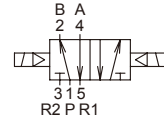
SOLENOID VALVE



MVSD-180-4E1



MVSD-180-4E2

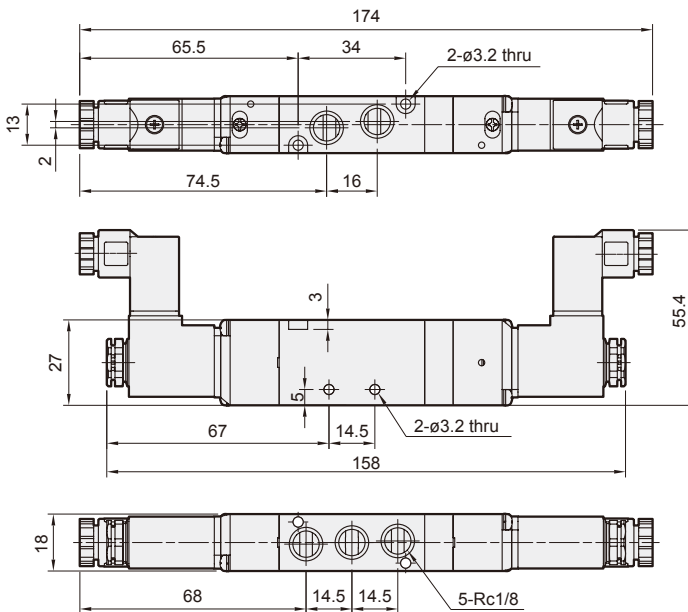
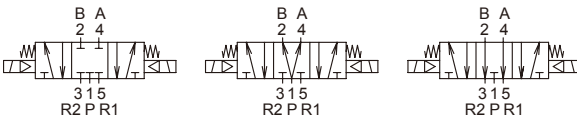


MVSD-180-4E2C.PR

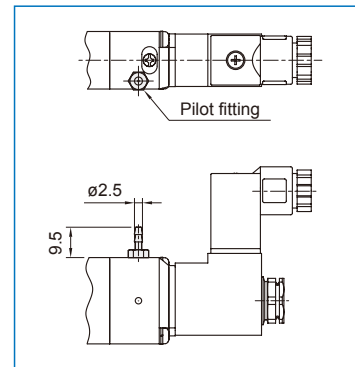
MVSD-180-4E2C

MVSD-180-4E2P

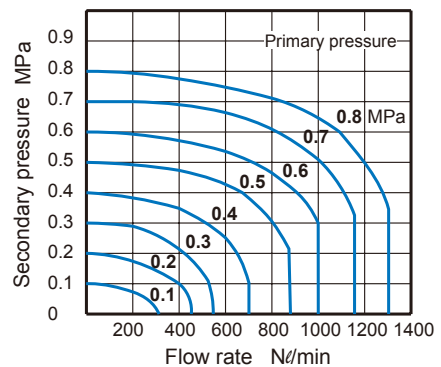
MVSD-180-4E2R



LP



Flow features



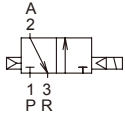
MVSD-180 Dimensions

SOLENOID VALVE

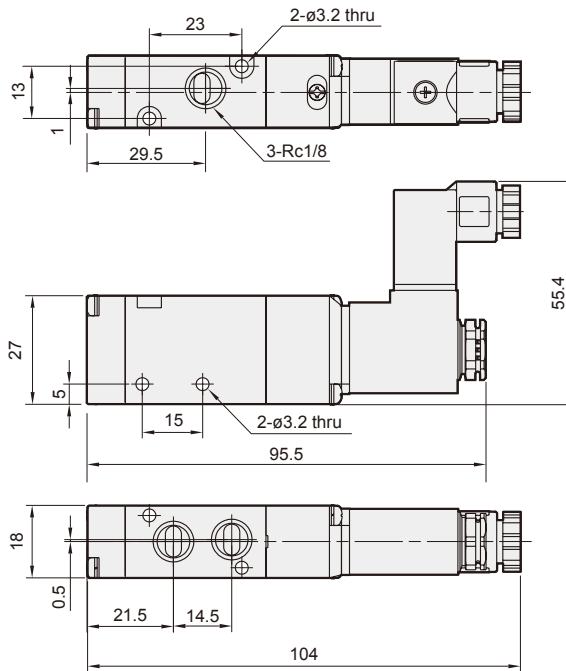
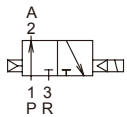


MVSD-180-3E1-NC/NO

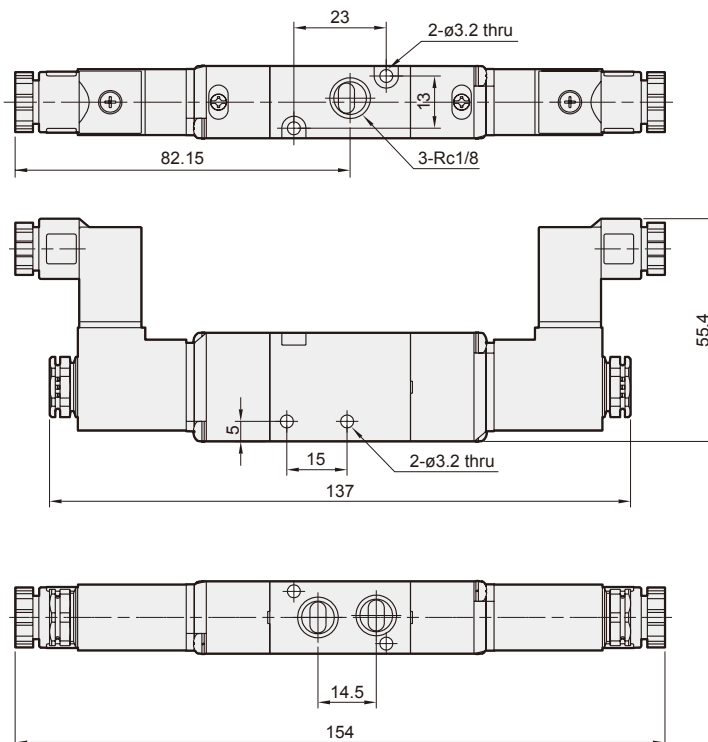
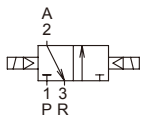
NC



NO



MVSD-180-3E2



MVSD-180 Manifold

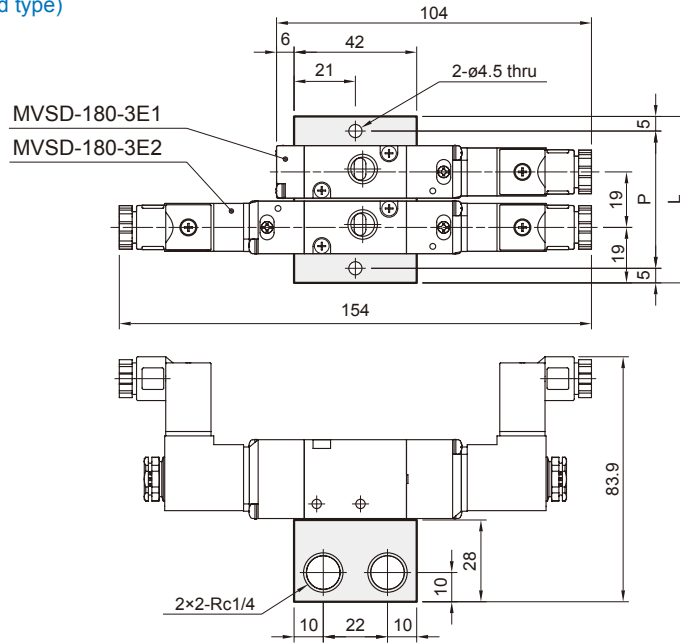
SOLENOID VALVE



MVSC1-180-3B*

* Use the same manifold with MVSC1.

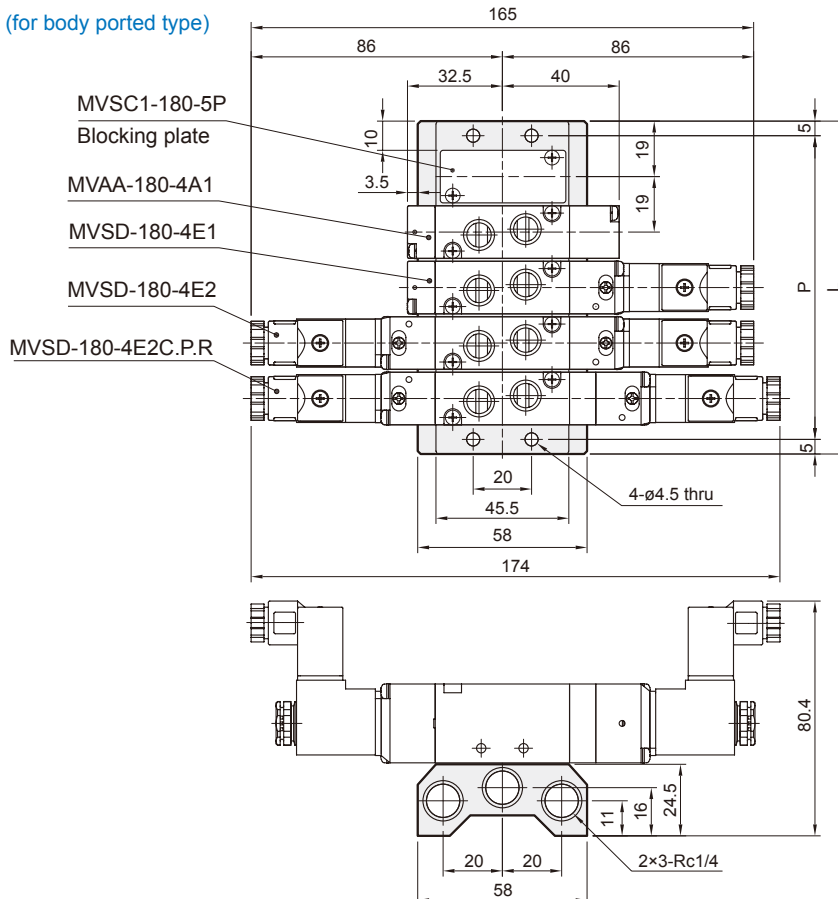
3 port (for body ported type)



No. of stations	P	L
2	47	57
3	66	76
4	85	95
5	104	114
6	123	133
7	142	152
8	161	171
9	180	190
10	199	209

MVSC1-180-5B*

5 port (for body ported type)



No. of stations	P	L
2	47	57
3	66	76
4	85	95
5	104	114
6	123	133
7	142	152
8	161	171
9	180	190
10	199	209