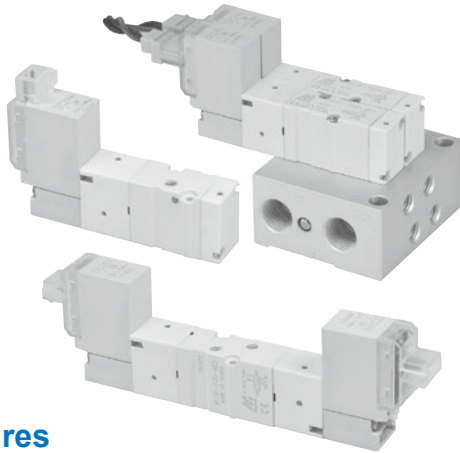


# MVSF-100 series

## SOLENOID VALVE



### Features

- **Low power consumption: 1.2W**
- **Compact design, Large flow capacity**  
Cv factor for this series is 1.25 times large than conventional valve with the same body width.
- **Quick response time: 12ms**

### Caution

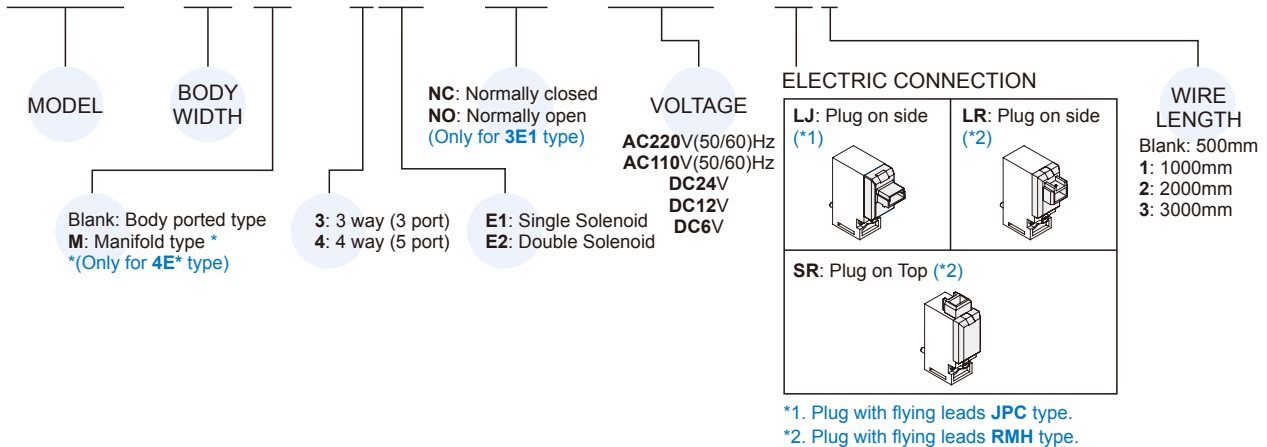
- Don't continuously energize for over 2 hours.
- The total energizing time of a day is not allowed to exceed the total non-energizing time even if it is intermittent energizing.

### Specification

| Model                                  | 3E1                                    | 3E2  | 4E1  | 4E2  |
|--|--|------|------|------|
| Bore No.                               | M3                                     |      |      |      |
| Port size                              | M3×0.5                                 |      |      |      |
| No. of port                            | 3                                      |      | 5    |      |
| No. of position                        | 2                                      |      |      |      |
| Medium                                 | Air                                    |      |      |      |
| Operating pressure range               | 0.15~0.7 MPa                           |      |      |      |
| Effective orifice mm <sup>2</sup> (Cv) | P→A/B: 1.0 (0.06)                      |      |      |      |
| Response time                          | 12 ms                                  |      |      |      |
| Max. operating frequency               | 5 Hz                                   |      |      |      |
| Ambient temperature                    | +5~+50°C                               |      |      |      |
| Lubrication                            | Not necessary                          |      |      |      |
| Voltage                                | AC110V, 220V (50/60)Hz, DC6/12/24V     |      |      |      |
| Power consumption                      | AC=1.6/2.5VA, DC=0.55W (LED indicator) |      |      |      |
| Surge voltage suppressor               | Diode                                  |      |      |      |
| Available voltage range                | ±10%                                   |      |      |      |
| Insulation class                       | B class                                |      |      |      |
| Weight                                 | 25 g                                   | 41 g | 28 g | 44 g |

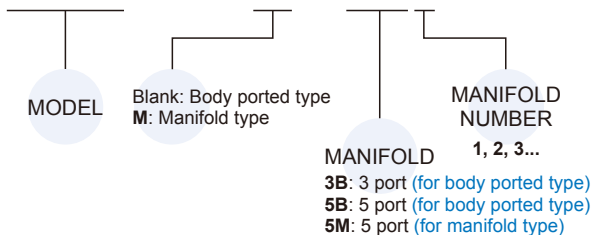
### Order example of valve

**MVSF — 100M — 4E2 — NC — DC12 — LJ1**



### Order example of manifold

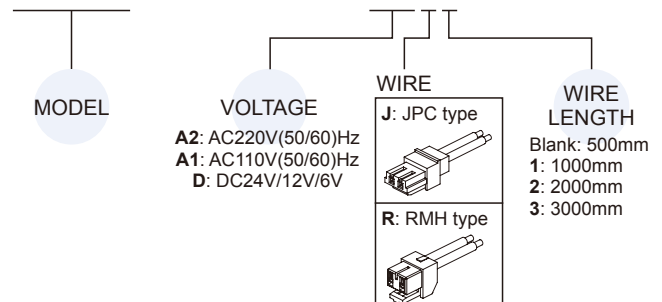
**MVSF — 100M — 5M3**



### Order example of wire

\* Use the same wire with MVDY.

**MVDY — 100 — WA2J2**

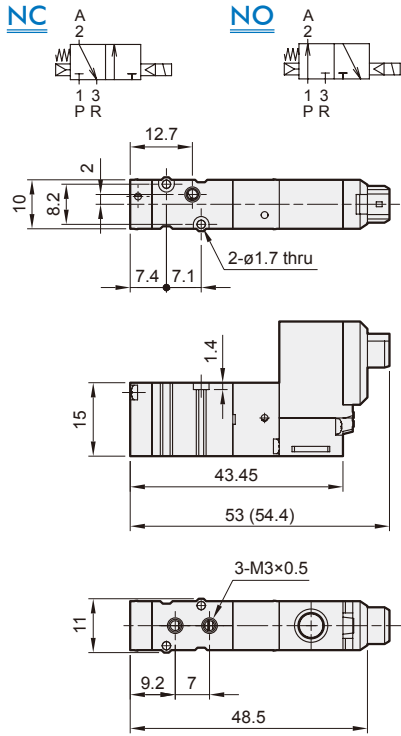


# MVSF-100 Dimensions

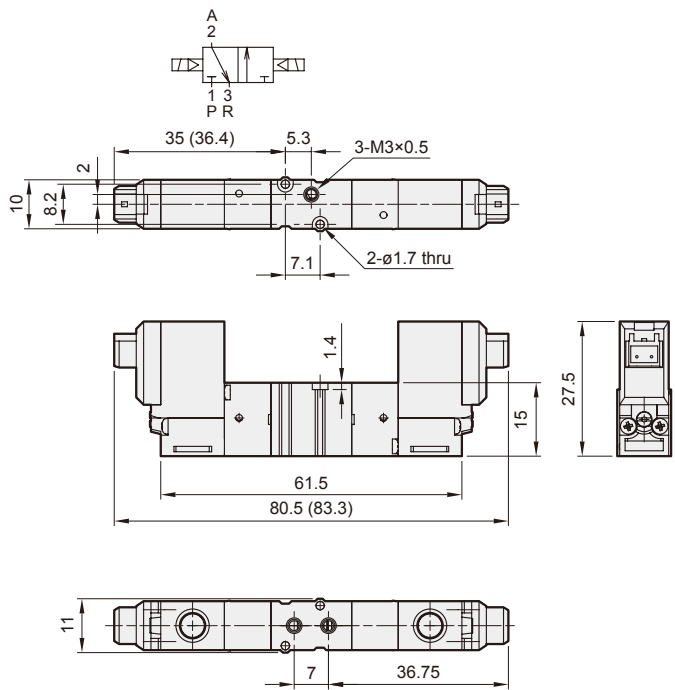
## SOLENOID VALVE



### MVSF-100-3E1-NC/NO



### MVSF-100-3E2

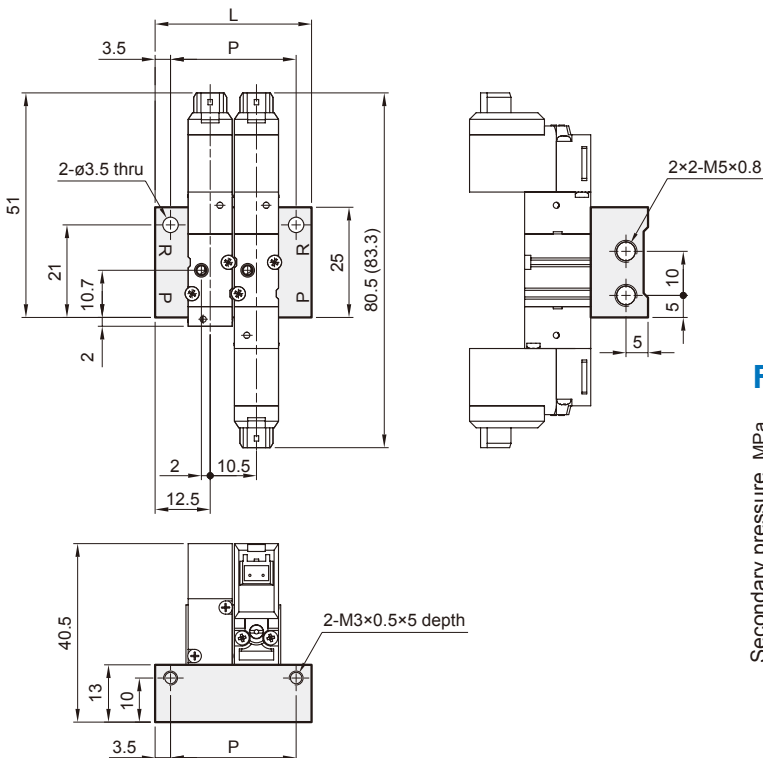


## Manifold of solenoid valve

### MVSF-100-3B\*

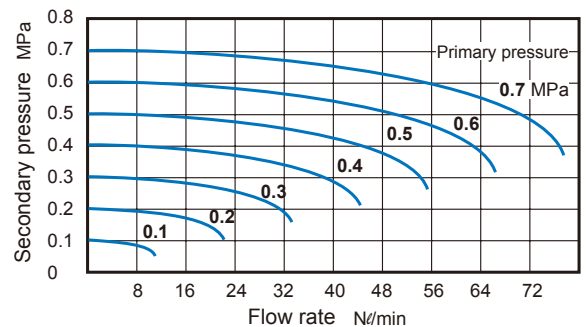
( ) : Dimension for LJ plug type.

3 port (for body ported type)



| No. of stations | P     | L     |
|-----------------|-------|-------|
| 2               | 28.5  | 35.5  |
| 3               | 39    | 46    |
| 4               | 49.5  | 56.5  |
| 5               | 60    | 67    |
| 6               | 70.5  | 77.5  |
| 7               | 81    | 88    |
| 8               | 91.5  | 98.5  |
| 9               | 102   | 109   |
| 10              | 112.5 | 119.5 |

## Flow features

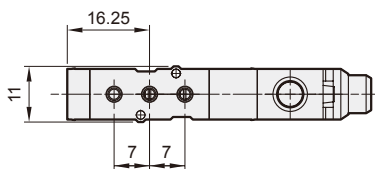
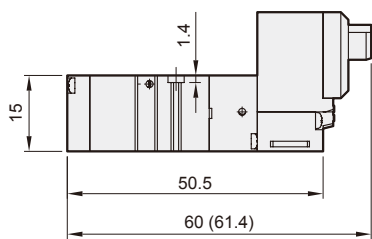
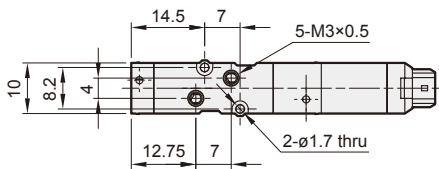
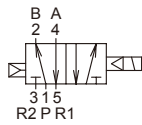


# MVSF-100 Dimensions

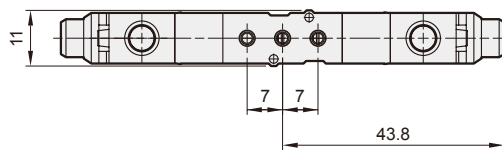
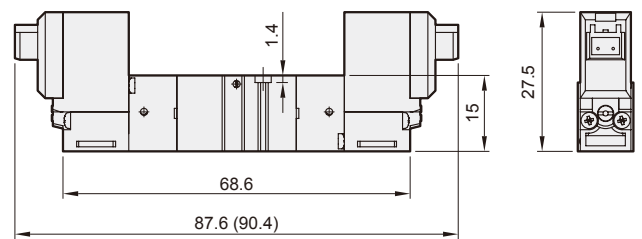
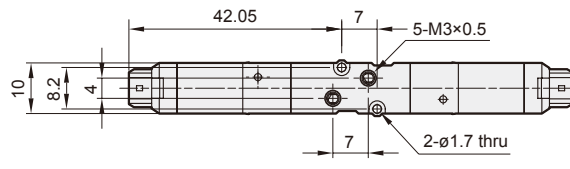
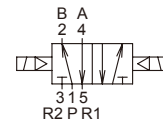
## SOLENOID VALVE



### MVSF-100-4E1



### MVSF-100-4E2

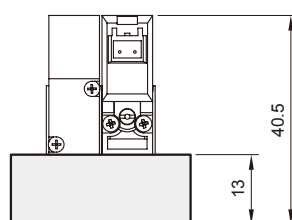
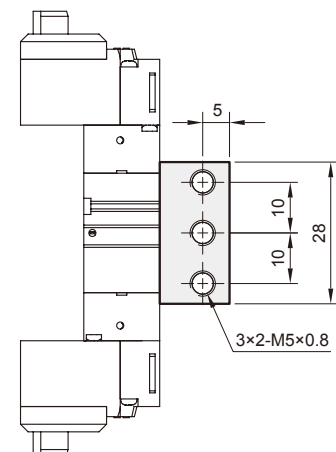
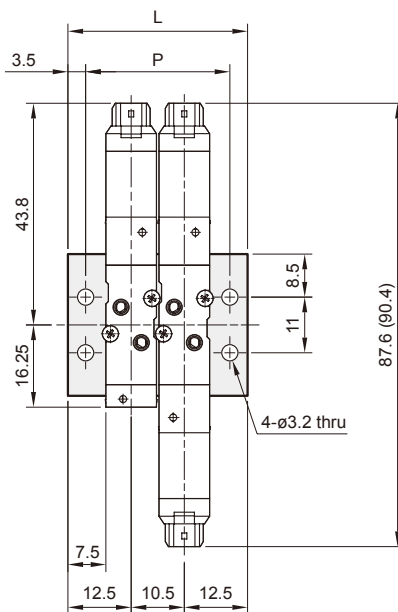


## Manifold of solenoid valve

### MVSF-100-5B\*

5 port (for body ported type)

| No. of stations | P     | L     |
|-----------------|-------|-------|
| 2               | 28.5  | 35.5  |
| 3               | 39    | 46    |
| 4               | 49.5  | 56.5  |
| 5               | 60    | 67    |
| 6               | 70.5  | 77.5  |
| 7               | 81    | 88    |
| 8               | 91.5  | 98.5  |
| 9               | 102   | 109   |
| 10              | 112.5 | 119.5 |



( ): Dimension for LJ plug type.

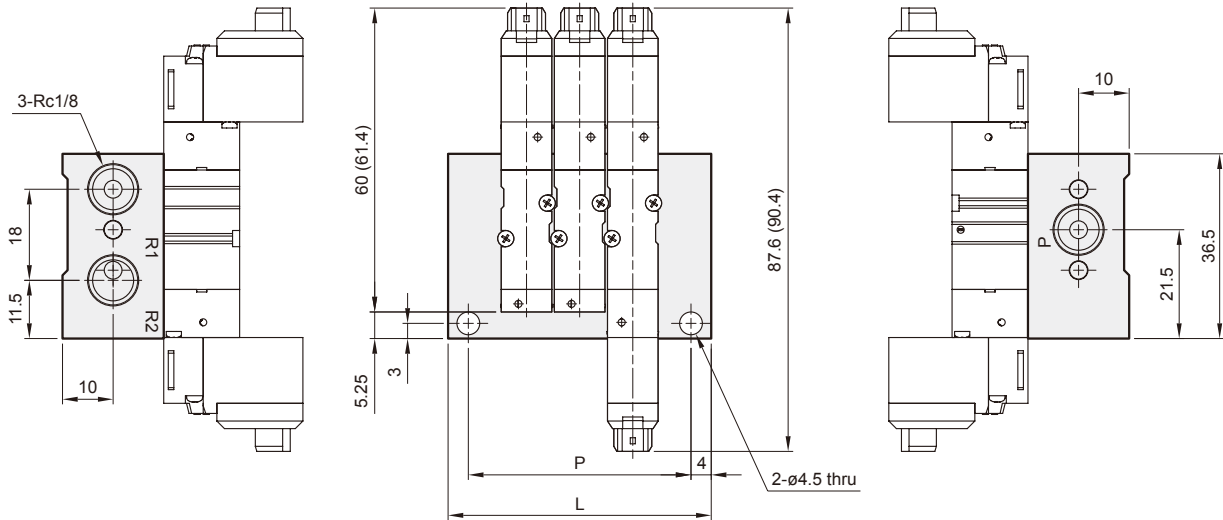
# MVSF-100 Manifold

## SOLENOID VALVE

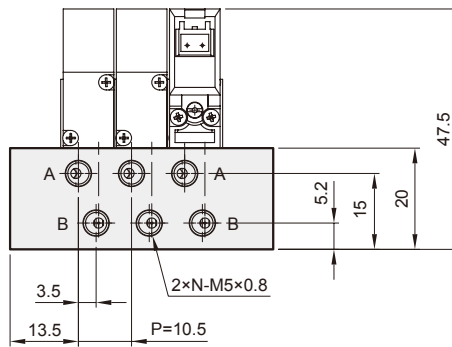


### MVSF-100-5M\*

5 port (for manifold type)



| No. of stations (N) | P     | L     |
|---------------------|-------|-------|
| 2                   | 33.5  | 41.5  |
| 3                   | 44    | 52    |
| 4                   | 54.5  | 62.5  |
| 5                   | 65    | 73    |
| 6                   | 75.5  | 83.5  |
| 7                   | 86    | 94    |
| 8                   | 96.5  | 104.5 |
| 9                   | 107   | 115   |
| 10                  | 117.5 | 125.5 |



( ): Dimension for LJ plug type.