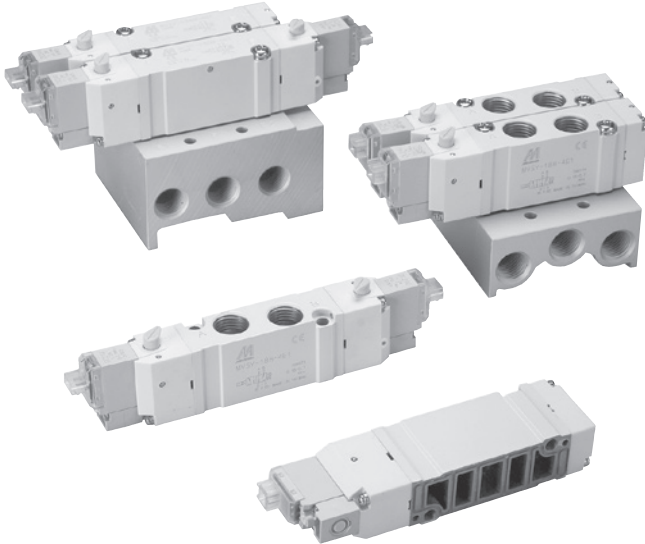


MVSY-188 series

SOLENOID VALVE



mindman

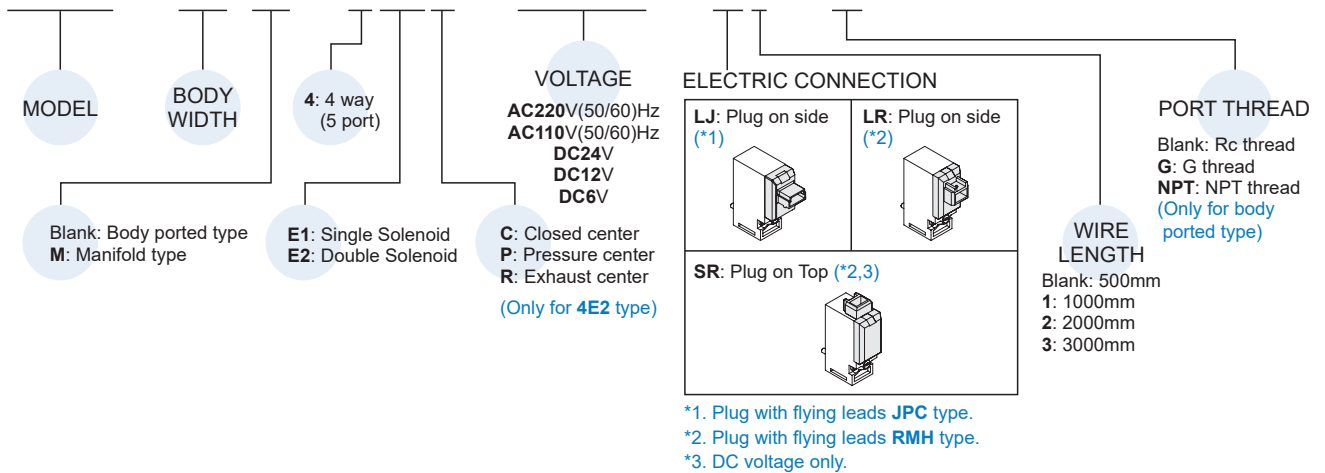


Specification

Model	4E1	4E2	4E2 C.P.R
Bore No.	8A		
Port size	1/4		
No. of port	5		
No. of position	2	3	
Medium	Air		
Operating perssure range	0.15~0.7 MPa	0.2~0.7 MPa	
Proof pressure	1 MPa		
Effective orifice	Body ported	15 mm ²	16.3/27/12.4 mm ²
	Manifold	13 mm ²	13.5/18.4/11 mm ²
Reponse time	23 ms		50 ms
Ambient temperature	+5~+50°C		
Max. operating frequency	5 Hz		
Voltage	AC110V, 220V (50/60)Hz, DC24/12/6V		
Power consumption	AC=1.6/2.5VA, DC6=1.2W, DC12/24=0.55W		
Available voltage range	±10%		
Insulation class	B class		
Weight	77 g	102 g	106 g

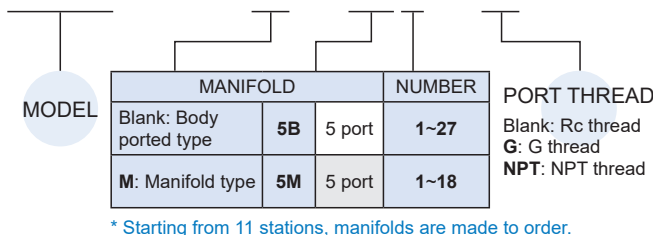
Order example of valve

MVSY – 188M – 4E2C – AC110 – LJ1 – G



Order example of manifold

MVSY – 188M – 5B3 – G

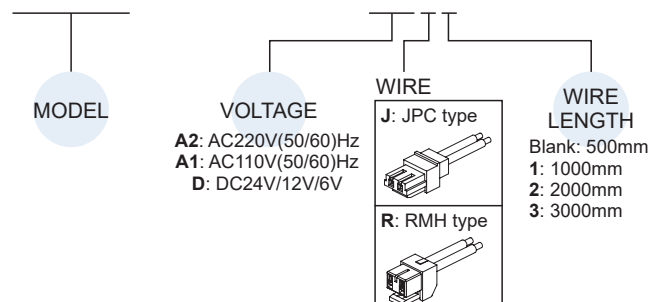


* Starting from 11 stations, manifolds are made to order.

Order example of wire

* Use the same wire with MVDY.

MVDY – 100 – WA2J2

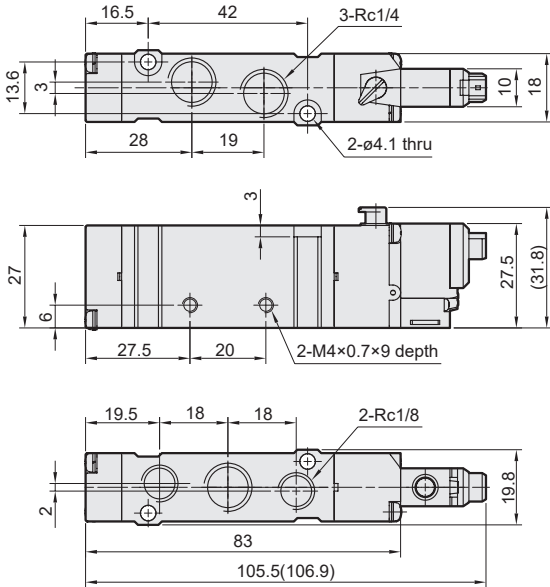
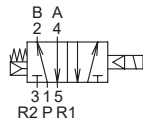


MVSY-188 Dimensions

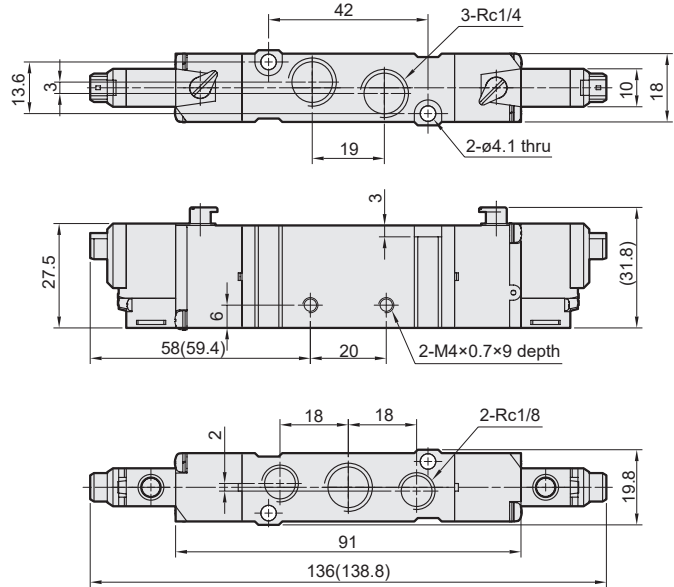
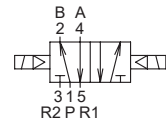
SOLENOID VALVE



MVSY-188-4E1



MVSY-188-4E2

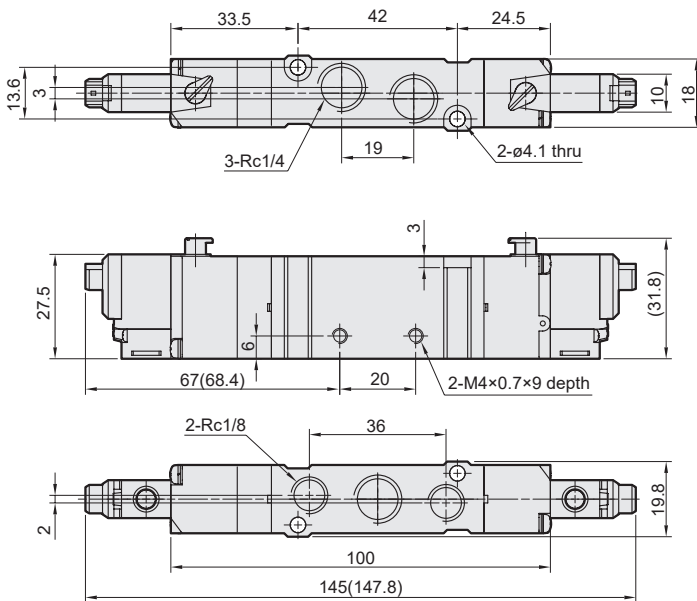
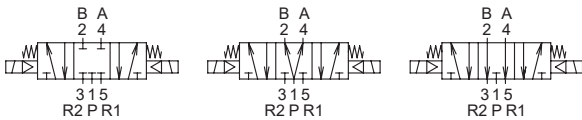


MVSY-188-4E2C.P.R

MVSY-188-4E2C

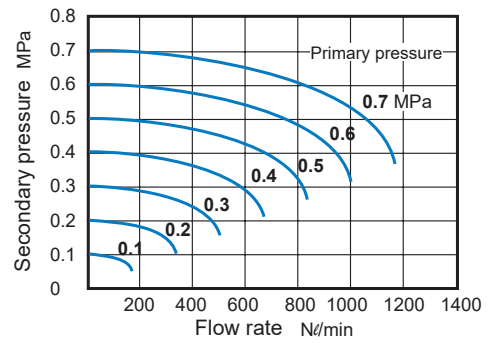
MVSY-188-4E2P

MVSY-188-4E2R

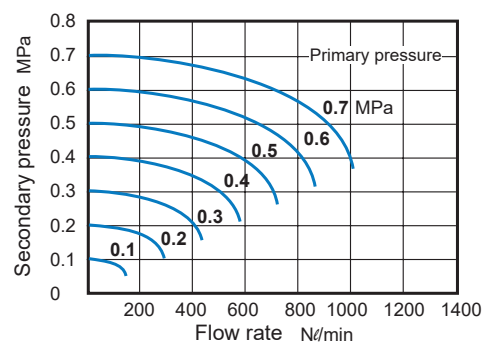


Flow features

MVSY-188-4E1/4E2



MVSY-188M-4E1/4E2



() : Dimension for LJ plug type.

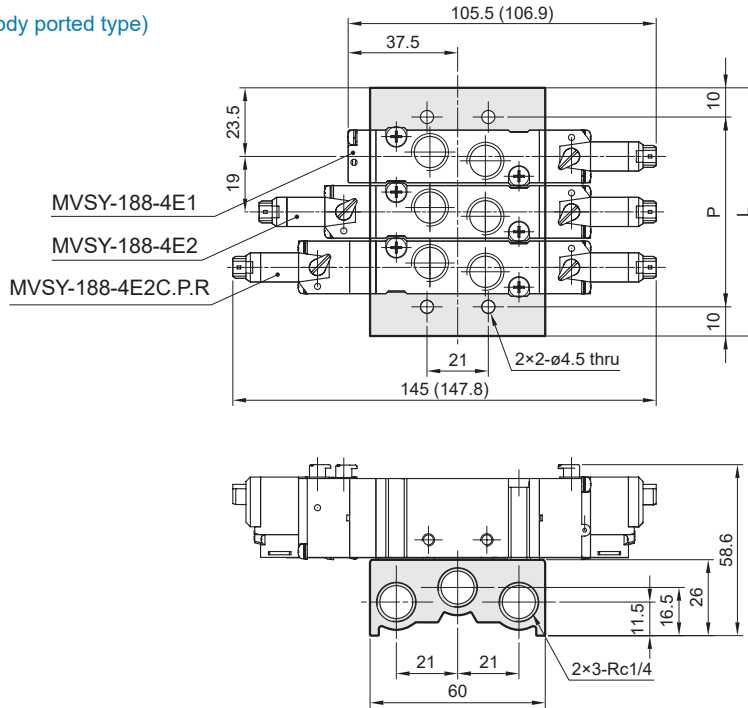
MVSY-188 Manifold

SOLENOID VALVE



MVSY-188-5B*

5 port (for body ported type)



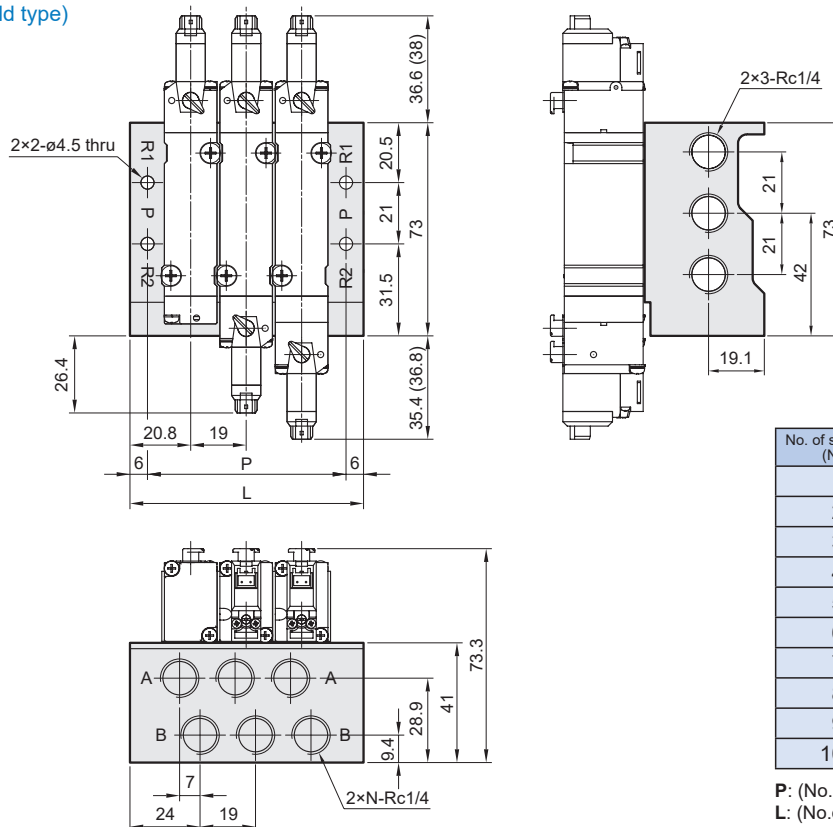
No. of stations	P	L
1	27	47
2	46	66
3	65	85
4	84	104
5	103	123
6	122	142
7	141	161
8	160	180
9	179	199
10	198	218

P: (No. of stations-1)×19+27

L: (No. of stations-1)×19+47

MVSY-188M-5M*

5 port (for manifold type)



No. of stations (N)	P	L
1	30	42
2	49	61
3	68	80
4	87	99
5	106	118
6	125	137
7	144	156
8	163	175
9	182	194
10	201	213

P: (No. of stations-1)×19+30

L: (No. of stations-1)×19+42

() : Dimension for LJ plug type.

MVSY-188 Mounting bracket & Spacer assembly

SOLENOID VALVE



Order example of bracket

MVSY – 188 – 1A

MODEL

MOUNTING BRACKET

1A
2A

Order example of spacer assembly

MVSY – 188M – 5BP

MODEL

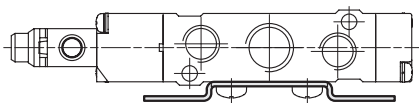
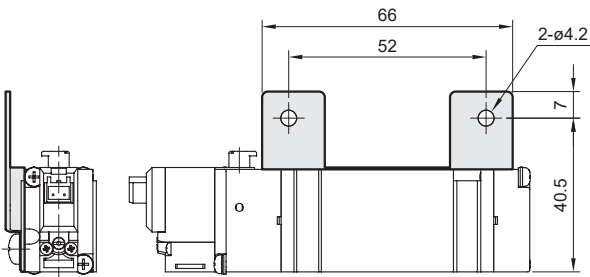
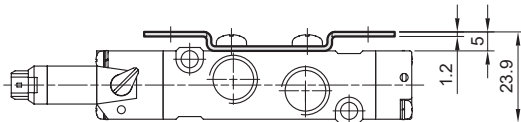
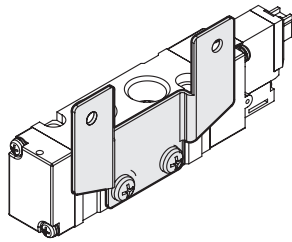
5B: 5 Port (for body ported type)
5M: 5 Port (for manifold type)

SPACER
ASSEMBLY

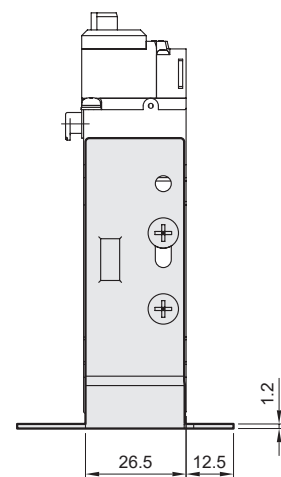
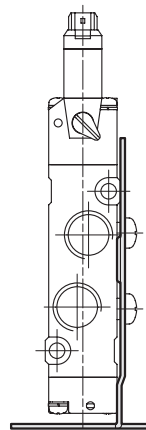
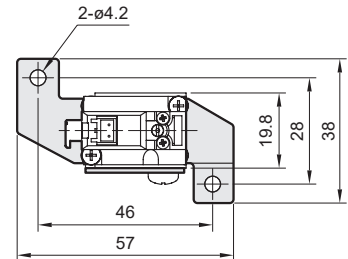
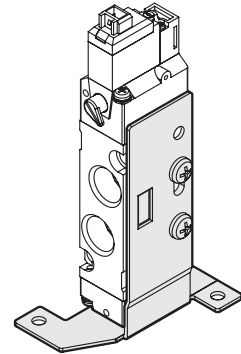
Blank: Body ported type
M: Manifold type

P: Individual SUP spacer assembly
R: Individual EXH spacer assembly
PR: Individual SUP spacer assembly+
Individual EXH spacer assembly

MVSY-188-1A



MVSY-188-2A



MVSY-188 Spacer assembly

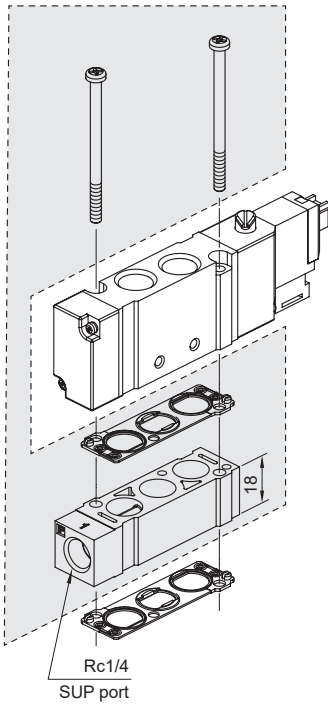
SOLENOID VALVE



for body ported type

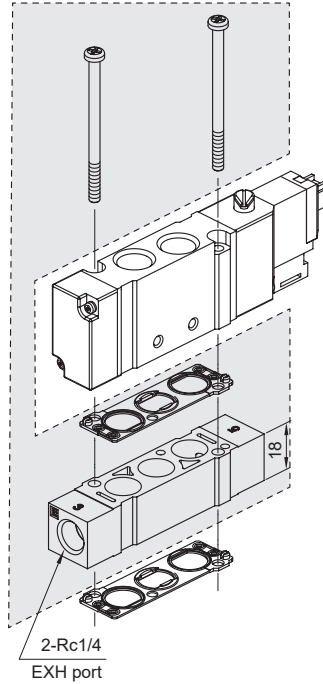
MVSY-188-5BP

Individual SUP spacer assembly



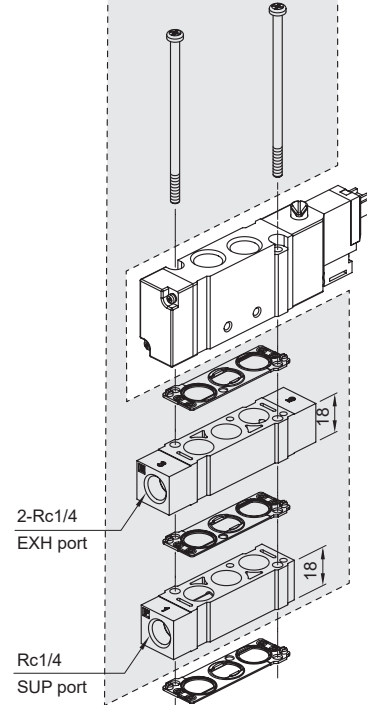
MVSY-188-5BR

Individual EXH spacer assembly



MVSY-188-5BPR

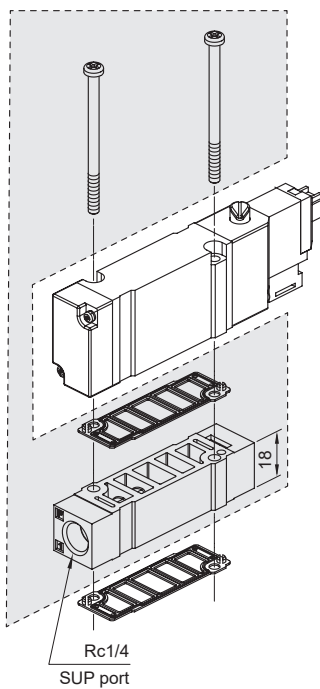
Individual SUP spacer assembly+
Individual EXH spacer assembly



for manifold type

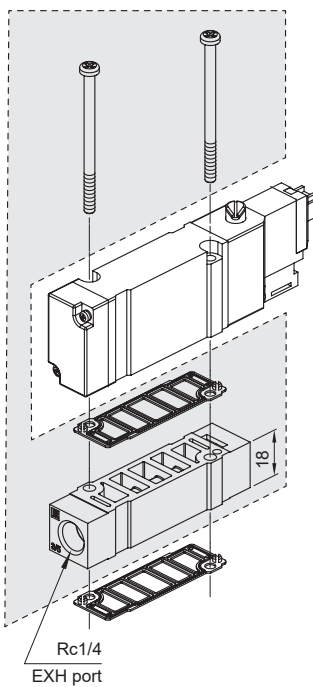
MVSY-188M-5MP

Individual SUP spacer assembly



MVSY-188M-5MR

Individual EXH spacer assembly



MVSY-188M-5MPR

Individual SUP spacer assembly+
Individual EXH spacer assembly

