

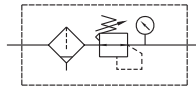
MAFR302 series

AIR UNIT (F.R.UNIT)



Option: **MP41**

Symbol



Specification

Model	MAFR302		
Bore No.	8A	10A	15A
Port size	1/4	3/8	1/2
Medium	Air		
Operating pressure range (*)	0.05~1 MPa		
Proof pressure	1.5 MPa		
Regulated pressure range	0.05~0.85 MPa		
Ambient temperature	- 5~+60°C (No freezing)		
Filter element	Standard: 5µm, Option: 40µm		
Drain capacity	35 cm ³		
Attachment	Pressure gauge (PG-20), L type bracket		
Weight	490 g		

* Standard unit contains semi-auto-drain function when operating pressure below 0.05 MPa.

* Choose auto-drain FMRF300, the pressure range is 0.15~1 MPa.

Order example

MAFR302 K - 8A - □ - NC□□ - E1 - □ - HR - □

MODEL

PORT SIZE

EXHAUST MECHANISM

(Option) PRESSURE SWITCH

FILTER ELEMENT

(Option) BRACKET

PORT THREAD

Blank: Standard
K: Backflow function ⚠

* The caution please refer to page 4-83.

Blank: Relieving type
Q: Non-relieving type

E1: MP41P-022
E2: MP41P-022-QD
E5: MP41P-042
E6: MP41P-042-QD

* Refer to page 5-13 for MP41.

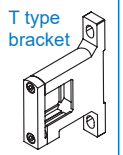
Blank: 5µm
40u: 40µm

Blank: L type
B3: Z type

(Option) SHUTOFF VALVE

HR: MVHR-302-3H
1: MVHR-302S-3H-AC110
1L: MVHR-302S-3H-AC110-L
1E: MVHR-302S-3H-AC110-E
2: MVHR-302S-3H-AC220
2L: MVHR-302S-3H-AC220-L
2E: MVHR-302S-3H-AC220-E
4: MVHR-302S-3H-DC24
4L: MVHR-302S-3H-DC24-L
4E: MVHR-302S-3H-DC24-E

T type bracket



(Option)

Bowl	Pressure gauge	Drain valve	Flow direction
Blank: PC bowl M: Metal bowl N: Nylon bowl	Blank: Pressure gauge (PG-20) C: External pressure gauge (PG-40) + Gauge adapter set (A-MAR302) A: Gauge adapter set (A-MAR302)	Blank: Semi-auto drain D: Auto drain valve (FMRF300)	Blank: Left to right R: Right to left

* Standard type regulator can not release the outlet pressure completely, even if inlet pressure was cut off, and the backflow function (K) must be applied to completely remove the residual pressure.

* The (Q) non-relieving type regulator is used. When the output pressure is higher than the set pressure, the output pressure will not flow out through the exhaust hole.

* PG-40 (C), A-MAR302 (A) and MP41 (E*) can not be selected at the same time.

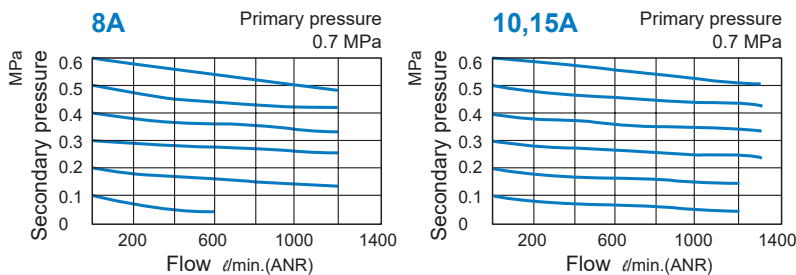
* Be sure to use above check valves when redirecting the air flow on the inlet side of the lubricator.

* 302: Manual type, 302S: Solenoid type

* Shutoff valve with T type bracket, no need to choose another bracket.

* Refer to page 3-71 for MVHR.

Flow feature

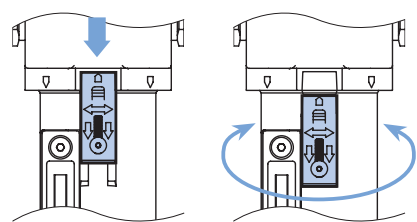


Caution

Metal bowl

Before assembling or disassembling, push the lock plate down to the end, and confirm that is detached from the body then rotate the bowl, otherwise the lock plate will be deformed or the body will be scratched.

- Sliding plate down
- Rotating the bowl

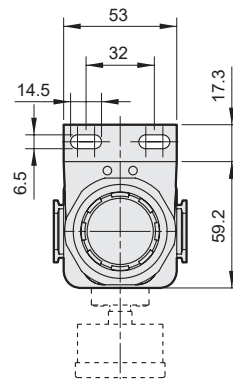
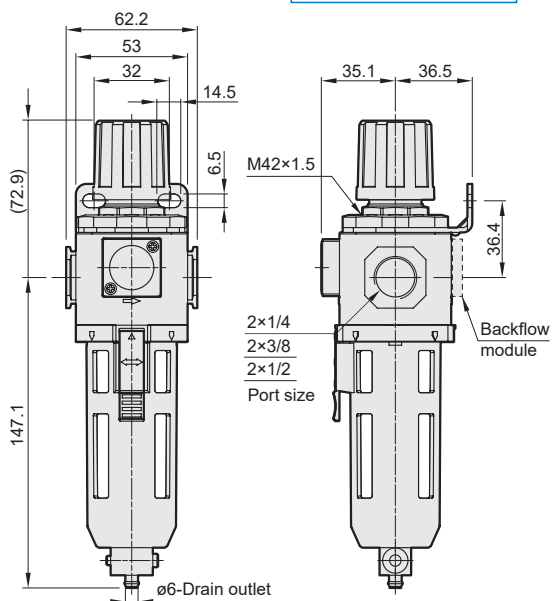
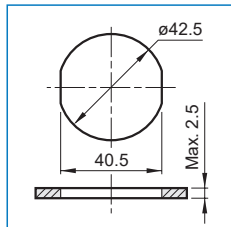


MAFR302 Dimensions

AIR UNIT (F.R.UNIT)

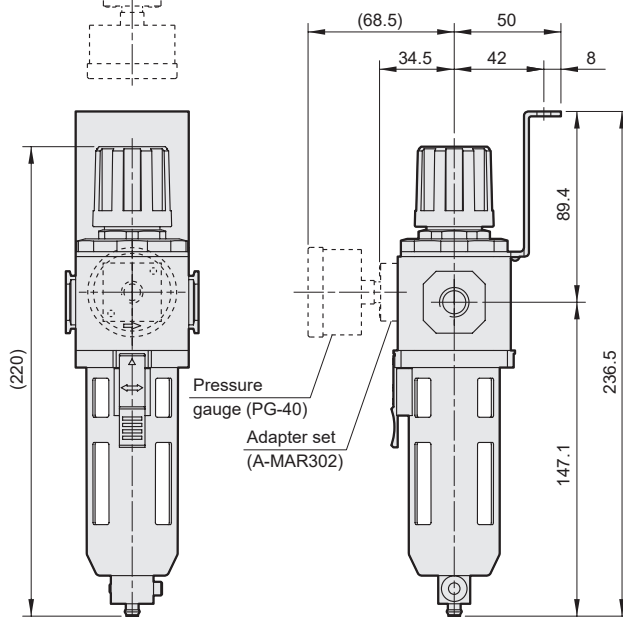


Panel mounting hole



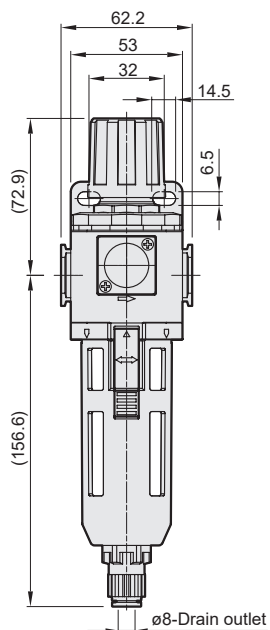
MAFR302-B3

Z type bracket



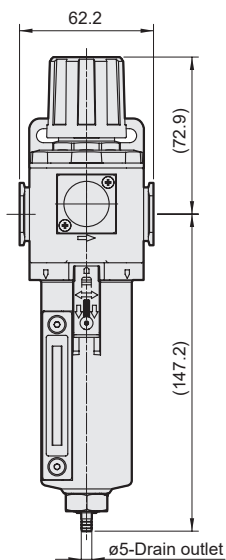
MAFR302-D

Auto drain valve



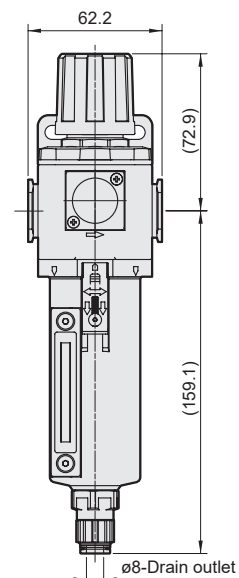
MAFR302-M

Metal bowl



MAFR302-MD

Metal bowl + Auto drain valve



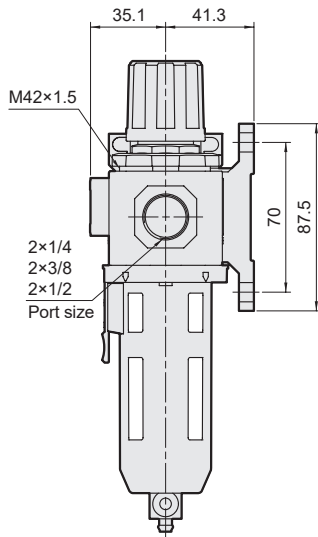
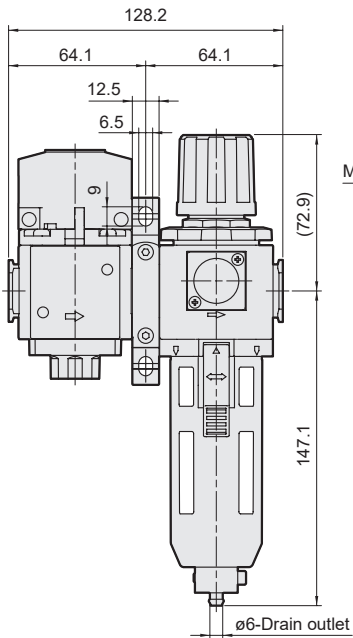
MAFR302-HR with shutoff valve

AIR UNIT (F.R.UNIT)



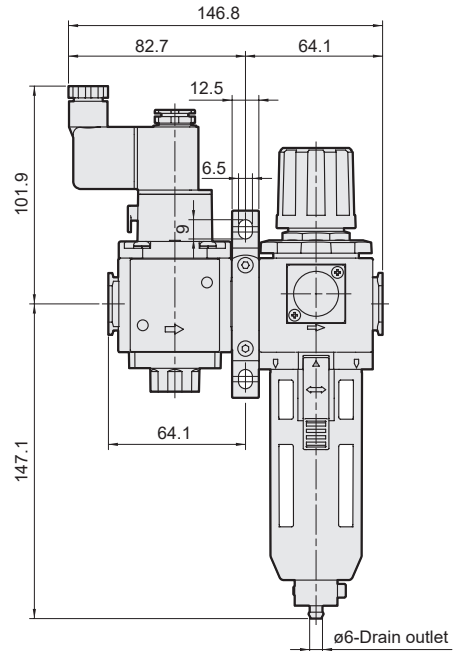
MAFR302-HR

With shutoff valve (MVHR-302)



MAFR302-1*/2*/4*

With shutoff valve (MVHR-302S)



Accessories

