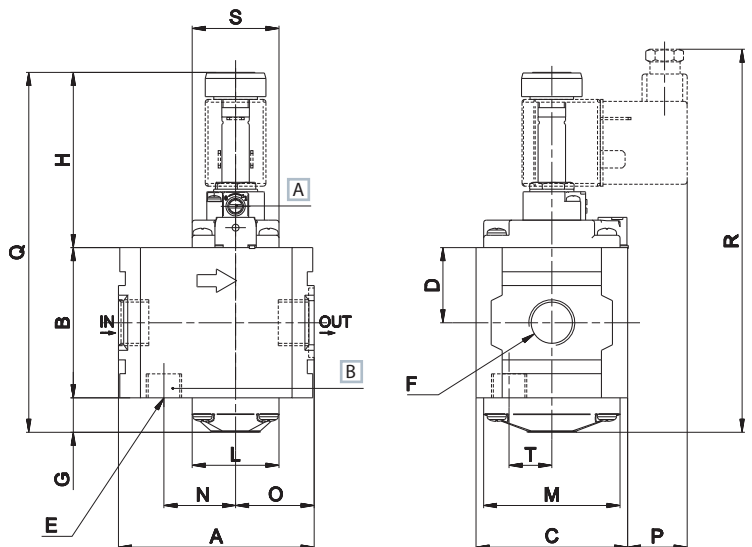
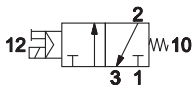


The 3 ways valve enable system supply and exhaust.  
Version with CNOMO or 15mm electropilot is available upon request.

Size	1	
Part no.	HZE1S10G	HZE1S15G
Threaded port	G3/8	G1/2
Flow rate (NI/min) <sup>(A)</sup>	2800	
Max inlet pressure (bar-MPa-psi)	10-1-145	
Min pressure (bar-MPa-psi)	2 - 0,2 - 29	
Fluid	compressed air	
Temperature (°C)	5 ÷ 60	
Weight (Kg)	0,7	
Commutation system	poppet valve	
Ways/Position	3/2 NC	
Control	indirect electropneumatic control	
Nominal diameter	10	
Electropilot	U1 / U3	
Coil	12 V DC - 24 V DC - 24 V AC - 110 V AC - 23	
Manual Override	with 2 position screw	

(A) = inlet pressure 6 bar, outlet pressure 5 bar - Δp 1 bar

HZE-S



- A Manual override
- B Exhaust

size	A	B	C	D	E	F	G	H	ØL	ØM	N	O	P	Q	R	S	T
1	71	54,5	55	27	G1/4	G3/8-G1/2	12,5	64	32	49,5	26	29	22	131	139	31,5	15,5

Coils and silencers are not included

