

# ASBP Series

## Basic Vacuum Generator

**AIRBEST**



UNIVERSAL

RoHS

### Features

- ◇ Plastic housing, small size and light weight
- ◇ Nozzle diameter 1.0mm and 1.5mm
- ◇ Threaded connection

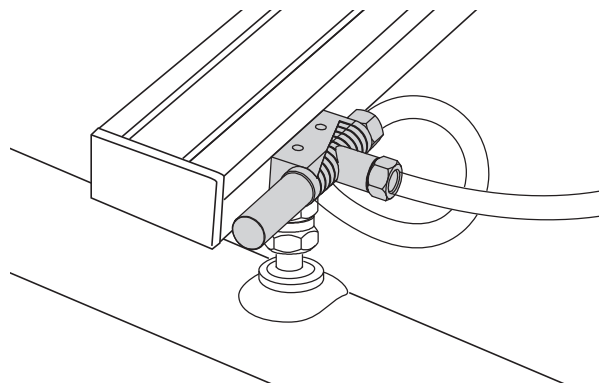
### Advantages

- ◇ Suitable for fast handling
- ◇ Low air consumption
- ◇ Easy installation and space saving
- ◇ Low noise and easy maintenance



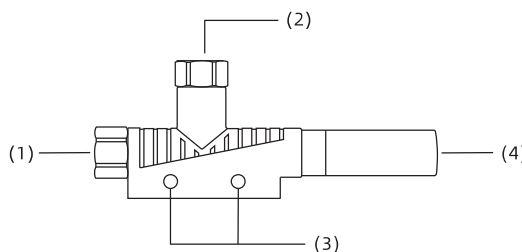
### Applications

- ◇ Basic vacuum generator with plastic housing
- ◇ Compact structure, can be installed in row
- ◇ Handling of electronic components



### Structure

- ◇ (1) Air supply port
- ◇ (2) Vacuum port
- ◇ (3) Mounting hole
- ◇ (4) Exhaust port



# ASBP Series

## Basic Vacuum Generator

### How to order

## ASBP 10

①      ②

① Series	② Nozzle diameter
ASBP	10 - $\phi$ 1.0mm 15 - $\phi$ 1.5mm

### Selection

Model/Nozzle diameter	10	15
ASBP□	ASBP10	ASBP15

### Technical parameters

Model	Nozzle diameter mm	Rated air supply pressure bar	Max. vacuum level -kPa	Max. vacuum flow NL/min	Air consumption NL/min	Noise level dB(A)	Working temperature °C	Weight g	Recommended hose dia.(mm)	
									Air supply port P	Vacuum port V
ASBP10	1.0	4.5	85	38	50	59	0~60	22	$\phi$ 6	$\phi$ 8
ASBP15	1.5	4.5	85	72	110	65	0~60	22	$\phi$ 6	$\phi$ 8

◇ Note: Max.operating pressure 7bar, standard operating pressure 4.5bar

AZK

AZX

AZD

AGS

AGB

AGP

AGX

AGE

ABM/ABX

ABM/ABX  
Combined Type

AMC

AM/AL/AH

AM/AL  
Combined Type

AMD

AZW

AZR

ABT

ABP

ABQ

AEVC

AZL

AZH

AZU

ACV

**ASBP**

ALS

ACP

ACPF

ACPS

APB

# ASBP Series

## Basic Vacuum Generator

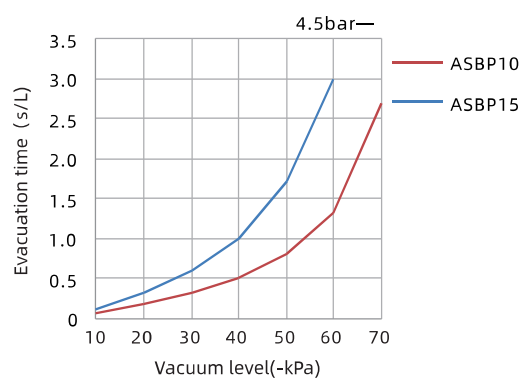
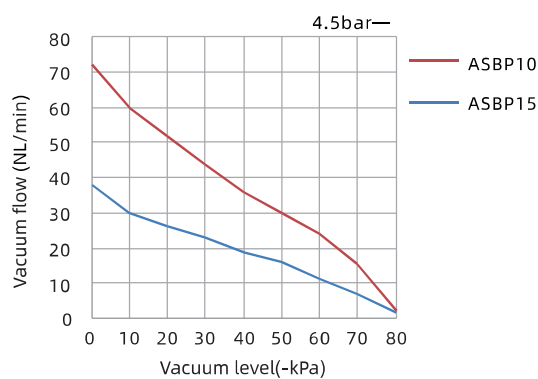


### Vacuum flow(NL/min) at different vacuum levels(-kPa)

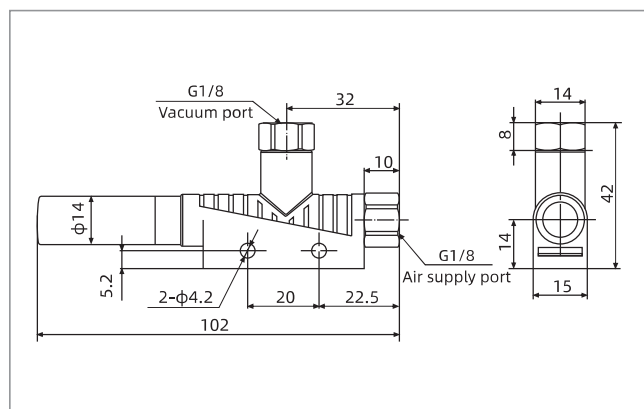
Model	Air supply pressure bar	Air consumption NL/min	0	10	20	30	40	50	60	70	80	Max. vacuum level -kPa
ASBP10	4.5	50	38	30	26	23	18.6	16	11	7.0	1.8	85
ASBP15	4.5	110	72	60	52	44	36.0	30	24	15.5	2.2	85

### Evacuation time(s/L) to reach different vacuum levels(-kPa)

Model	Air supply pressure bar	Air consumption NL/min	10	20	30	40	50	60	70	Max. vacuum level -kPa
ASBP10	4.5	50	0.13	0.33	0.60	1.00	1.72	3.00	-	85
ASBP15	4.5	110	0.06	0.18	0.32	0.52	0.81	1.32	2.7	85



### Dimensions(mm)



ASBP