

# AZH Series

## Basic Vacuum Generator

**AIRBEST**



### Features

- ◇ Single stage vacuum generator with plastic housing
- ◇ High vacuum level type and large vacuum flow type for option
- ◇ Body ported type and box type for option
- ◇ Thread connection or one-touch fitting for port connection



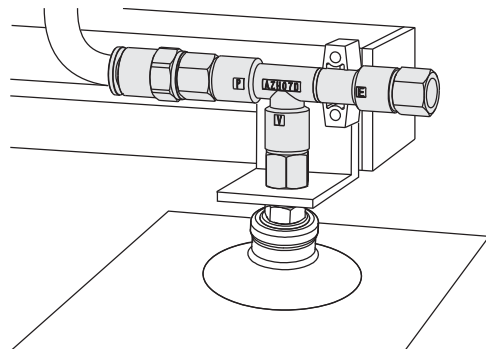
### Advantages

- ◇ Small size, light weight and cost-effective
- ◇ Suitable for various occasions
- ◇ Box type with built-in silencer to reduce noise
- ◇ Thread connection and one-touch fitting for option



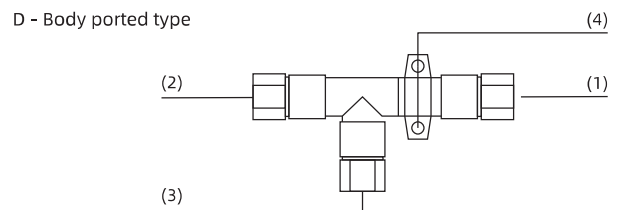
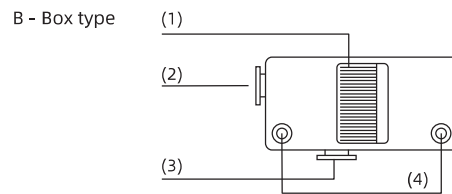
### Applications

- ◇ Widely used in all kinds of vacuum systems
- ◇ Suitable for various handling operations such as automotive, metal sheet, wood, food and packaging, etc.
- ◇ High vacuum type and large flow type for different occasions



### Structure

- ◇ (1) Exhaust port
- ◇ (2) Air supply port
- ◇ (3) Vacuum port
- ◇ (4) Mounting hole



# AZH Series

## Basic Vacuum Generator



### How to order

**AZH 07 B S - 06 - 06**  
**AZH 07 D S - 01 - 01 - 01**  
 ①      ②      ③      ④      ⑤      ⑥      ⑦

① Series	② Nozzle diameter	③ Shape	④ Specification	⑤ Air supply port	⑥ Vacuum port	⑦ Exhaust port
AZH	05 - φ0.5mm	B - Box type	S - High vacuum level type (-88kPa)	06 - φ6 One-touch fitting	06 - φ6 One-touch fitting	06 - φ6 One-touch fitting
	07 - φ0.7mm	D - Body ported type	L - Large vacuum flow type (-48kPa)	08 - φ8 One-touch fitting	10 - φ10 One-touch fitting	08 - φ8 One-touch fitting
	10 - φ1.0mm			10 - φ10 One-touch fitting	12 - φ12 One-touch fitting	10 - φ10 One-touch fitting
	13 - φ1.3mm			12 - φ12 One-touch fitting	16 - φ16 One-touch fitting	12 - φ12 One-touch fitting
	15 - φ1.5mm			01 - Rc1/8 Female thread	01 - Rc1/8 Female thread	16 - φ16 One-touch fitting
	18 - φ1.8mm			02 - Rc1/4 Female thread	02 - Rc1/4 Female thread	01 - Rc1/8 Female thread
	20 - φ2.0mm			03 - Rc3/8 Female thread	03 - Rc3/8 Female thread	02 - Rc1/4 Female thread
					04 - Rc1/2 Female thread	03 - Rc3/8 Female thread
						04 - Rc1/2 Female thread

### Selection-Box type

Model/Shape BS		BL	
AZH05BS-06-06	AZH05BS-01-01	AZH05BL-06-06	AZH05BL-01-01
AZH07BS-06-06	AZH07BS-01-01	AZH07BL-06-06	AZH07BL-01-01
AZH10BS-06-06	AZH10BS-01-01	AZH10BL-06-06	AZH10BL-01-01
AZH13BS-08-10	AZH13BS-01-02	AZH13BL-08-10	AZH13BL-01-02

### Selection-Body ported type

Model/Shape DS		DL	
AZH05DS-06-06-06	AZH05DS-01-01-01	AZH05DL-06-06-06	AZH05DL-01-01-01
AZH07DS-06-06-06	AZH07DS-01-01-01	AZH07DL-06-06-06	AZH07DL-01-01-01
AZH10DS-06-06-08	AZH10DS-01-01-01	AZH10DL-06-06-08	AZH10DL-01-01-01
AZH13DS-08-10-10	AZH13DS-01-02-02	AZH13DL-08-10-10	AZH13DL-01-02-02
AZH15DS-10-12-12	AZH15DS-02-03-03	AZH15DL-10-12-12	AZH15DL-02-03-03
AZH18DS-12-12-12	AZH18DS-03-03-03	AZH18DL-12-12-12	AZH18DL-03-03-03
AZH20DS-12-16-16	AZH20DS-03-04-04	AZH20DL-12-16-16	AZH20DL-03-04-04

### Technical parameters

Model	Rated air supply pressure bar	Max. vacuum level -kPa		Max. vacuum flow NL/min		Air consumption NL/min	Noise level dB(A)	Working temperature °C	Weight g	Recommended hose dia. (mm)		
		S	L	S	L					Air supply port S	Vacuum port V	Exhaust port E
AZH05B	4.5	88	48	5	9	13.5	68	5~50	28	φ6	φ6	-
AZH07B	4.5	88	48	12	22	23.5	68	5~50	28	φ6	φ6	-
AZH10B	4.5	88	48	24	34	46.0	72	5~50	33	φ6	φ6	-
AZH13B	4.5	88	48	40	75	78.0	72	5~50	66	φ8	φ10	-

Vacuum Generator

AZK

AZX

AZD

AGS

AGB

AGP

AGX

AGE

ABM/ABX

ABM/ABX Combined Type

AMC

AM/AL/AH

AM/AL Combined Type

AMD

AZW

AZR

ABT

ABP

ABQ

AEVC

AZL

**AZH**

AZU

ACV

ASBP

ALS

ACP

ACPF

ACPS

APB

# AZH Series

## Basic Vacuum Generator



### Technical parameters

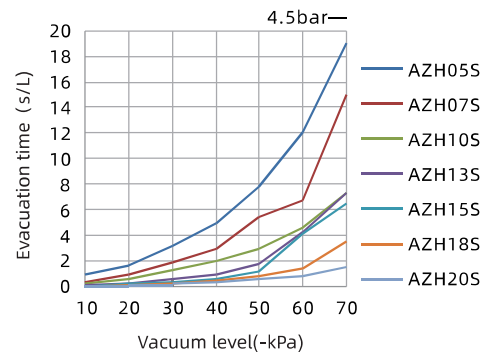
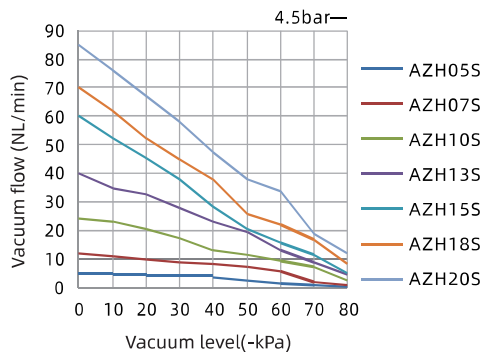
Model	Rated air supply pressure bar	Max. vacuum level -kPa		Max. vacuum flow NL/min		Air consumption NL/min	Noise level dB(A)	Working temperature °C	Weight g	Recommended hose dia.(mm)		
		S	L	S	L					Air supply port S	Vacuum port V	Exhaust port E
AZH05D	4.5	88	48	7.5	9	13.5	75	5~50	11	φ6	φ6	φ6
AZH07D	4.5	88	48	12	22	23.5	75	5~50	12	φ6	φ6	φ6
AZH10D	4.5	88	48	24	34	46.0	68	5~50	16	φ6	φ6	φ8
AZH13D	4.5	88	48	40	75	78.0	68	5~50	27	φ8	φ10	φ10
AZH15D	4.5	88	53	60	80	97.0	72	5~50	43	φ10	φ12	φ12
AZH18D	4.5	88	53	70	110	150.0	72	5~50	55	φ12	φ12	φ12
AZH20D	4.5	88	53	85	140	185.0	75	5~50	95	φ12	φ16	φ16

### Vacuum flow(NL/min) at different vacuum levels(-kPa)

Model	Air supply pressure bar	Air consumption NL/min	Vacuum level (-kPa)										Max. vacuum level -kPa
			0	10	20	30	40	50	60	70	80		
AZH05S	4.5	13.5	5.0	4.5	4.1	3.8	3.3	2.3	1.6	0.9	0.3	88	
AZH07S	4.5	23.5	12.0	11.0	10.0	9.0	8.0	7.0	5.5	2.1	0.8	88	
AZH10S	4.5	46.0	24.0	23.0	20.5	17.5	13.0	11.5	9.5	7.0	2.5	88	
AZH13S	4.5	78.0	40.0	35.0	32.5	28.0	23.0	19.5	13.0	9.0	4.5	88	
AZH15S	4.5	97.0	60.0	52.5	45.5	38.0	28.5	20.5	15.5	11.5	5.0	88	
AZH18S	4.5	150.0	70.0	62.0	52.0	45.0	38.0	26.0	22.0	16.5	8.5	88	
AZH20S	4.5	185.0	85.0	76.0	67.0	58.0	47.5	38.0	33.5	19.0	12.0	88	

### Evacuation time(s/L) to reach different vacuum levels(-kPa)

Model	Air supply pressure bar	Air consumption NL/min	Vacuum level (-kPa)							Max. vacuum level -kPa
			10	20	30	40	50	60	70	
AZH05S	4.5	13.5	0.89	1.70	3.20	5.00	7.80	12.00	19.00	88
AZH07S	4.5	23.5	0.37	1.00	1.90	3.00	5.40	6.70	15.00	88
AZH10S	4.5	46.0	0.25	0.60	1.25	2.00	2.90	4.60	7.30	88
AZH13S	4.5	78.0	0.10	0.27	0.53	1.00	1.75	4.20	7.30	88
AZH15S	4.5	97.0	0.04	0.21	0.35	0.63	1.23	4.10	6.50	88
AZH18S	4.5	150.0	0.02	0.15	0.29	0.46	0.78	1.38	3.51	88
AZH20S	4.5	185.0	0.02	0.12	0.21	0.34	0.55	0.85	1.58	88



# AZH Series

## Basic Vacuum Generator



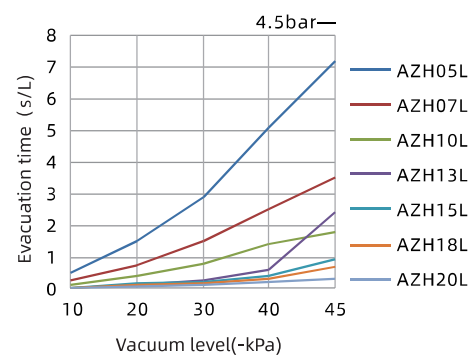
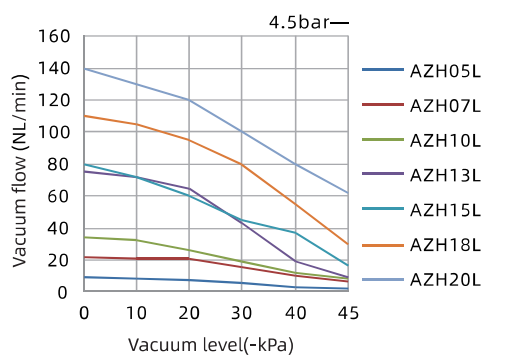
### Vacuum flow(NL/min) at different vacuum levels(-kPa)

Model	Air supply pressure bar	Air consumption NL/min	0	10	20	30	40	45	Max. vacuum level -kPa
AZH05L	4.5	13.5	9.0	8.0	7.0	6.0	3.0	1.9	48
AZH07L	4.5	23.5	22.0	21.0	20.5	15.5	10.5	6.8	48
AZH10L	4.5	46.0	34.0	32.0	26.0	19.0	12.0	8.0	48
AZH13L	4.5	78.0	75.0	72.0	65.0	43.0	19.0	9.0	48
AZH15L	4.5	97.0	80.0	72.0	60.0	45.0	36.5	16.0	53
AZH18L	4.5	150.0	110.0	105.0	95.0	80.0	55.0	30.0	53
AZH20L	4.5	185.0	140.0	130.0	120.0	100.0	80.0	62.0	53

### Evacuation time(s/L) to reach different vacuum levels(-kPa)

Model	Air supply pressure bar	Air consumption NL/min	10	20	30	40	45	Max. vacuum level -kPa
AZH05L	4.5	13.5	0.49	1.50	2.90	5.10	7.20	48
AZH07L	4.5	23.5	0.28	0.75	1.50	2.50	3.50	48
AZH10L	4.5	46.0	0.14	0.40	0.81	1.40	1.80	48
AZH13L	4.5	78.0	0.04	0.12	0.24	0.62	2.40	48
AZH15L	4.5	97.0	0.03	0.15	0.23	0.40	0.92	53
AZH18L	4.5	150.0	0.02	0.10	0.18	0.32	0.67	53
AZH20L	4.5	185.0	0.01	0.08	0.14	0.20	0.30	53

### Technical parameters



Vacuum Generator

AZK

AZX

AZD

AGS

AGB

AGP

AGX

AGE

ABM/ABX

ABM/ABX Combined Type

AMC

AM/AL/AH

AM/AL Combined Type

AMD

AZW

AZR

ABT

ABP

ABQ

AEVC

AZL

**AZH**

AZU

ACV

ASBP

ALS

ACP

ACPF

ACPS

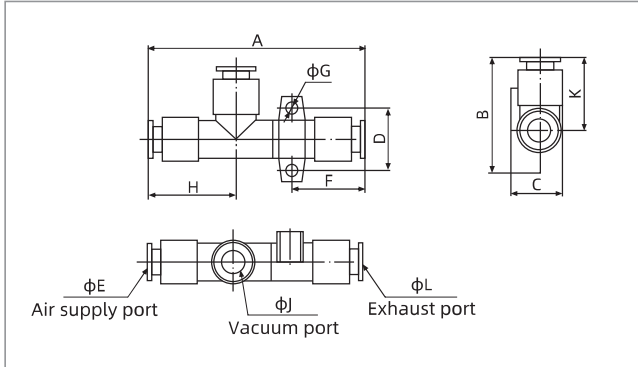
APB

# AZH Series

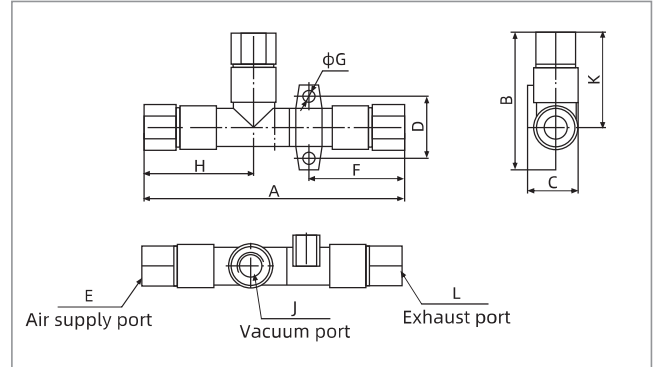
## Basic Vacuum Generator



### Dimensions(mm)



AZH - D Body ported type(One-touch fitting)



AZH - D Body ported type(Female thread connection)

Model/Size	A	B	C	D	E	F	G	H	L	K	J
AZH05DS-06-06-06	58.5	34.0	14.2	17.0	6	21.0	3.2	24.0	6	22.0	6
AZH07DS-06-06-06	61.0	34.0	14.2	17.0	6	22.0	3.2	24.0	6	22.0	6
AZH10DS-06-06-08	66.0	37.0	17.2	20.0	6	24.5	4.2	26.0	8	23.0	6
AZH10DL-06-06-08	70.0	37.0	17.2	20.0	6	24.5	4.2	26.0	8	23.0	6
AZH13DS-08-10-10	74.0	42.5	20.0	22.0	8	27.0	4.2	28.0	10	27.5	10
AZH13DL-08-10-10	79.5	42.5	20.0	22.0	8	27.0	4.2	28.0	10	27.5	10
AZH15DS-10-12-12	93.3	47.0	22.5	27.0	10	32.8	4.2	31.5	12	29.5	12
AZH18DS-12-12-12	114.0	41.0	21.0	10.0	12	50.0	3.5	35.5	12	30.5	12
AZH20DS-12-16-16	124.6	46.0	27.0	12.0	12	54.3	3.5	38.5	16	32.7	16

AZH - D Body ported type(One-touch fitting)

Model/Size	A	B	C	D	E	F	G	H	L	K	J
AZH05DS-01-01-01	73.5	41.5	14.2	17.0	Rc1/8	28.5	3.2	31.5	Rc1/8	29.5	Rc1/8
AZH07DS-01-01-01	76.0	41.5	14.2	17.0	Rc1/8	29.5	3.2	31.5	Rc1/8	29.5	Rc1/8
AZH10DS-01-01-01	82.0	44.5	17.2	20.0	Rc1/8	33.0	4.2	33.5	Rc1/8	30.5	Rc1/8
AZH10DL-01-01-01	86.0	44.5	17.2	20.0	Rc1/8	33.0	4.2	33.5	Rc1/8	30.5	Rc1/8
AZH13DS-01-02-02	94.5	54.0	20.0	22.0	Rc1/8	38.5	4.2	36.5	Rc1/4	39.0	Rc1/4
AZH13DL-01-02-02	99.5	54.0	20.0	22.0	Rc1/8	38.5	4.2	36.5	Rc1/4	39.0	Rc1/4
AZH15DS-02-03-03	116.5	58.5	22.5	27.0	Rc1/4	44.5	4.2	43.0	Rc3/8	41.0	Rc3/8
AZH18DS-03-03-03	133.0	52.5	21.0	10.0	Rc3/8	57.5	3.5	47.0	Rc3/8	42.0	Rc3/8
AZH20DS-03-04-04	151.0	61.0	27.0	12.0	Rc3/8	69.3	3.5	50.0	Rc1/2	47.7	Rc1/2

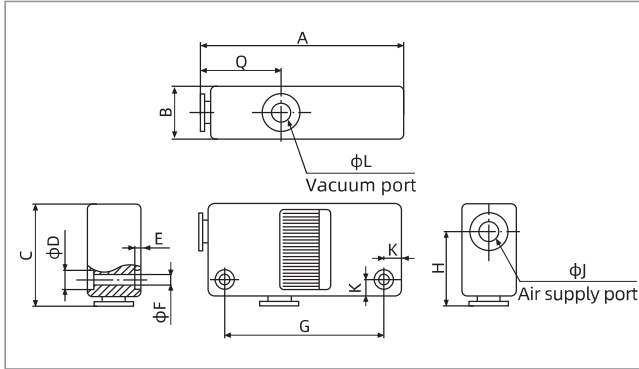
AZH - D Body ported type(Female thread connection)

# AZH Series

## Basic Vacuum Generator

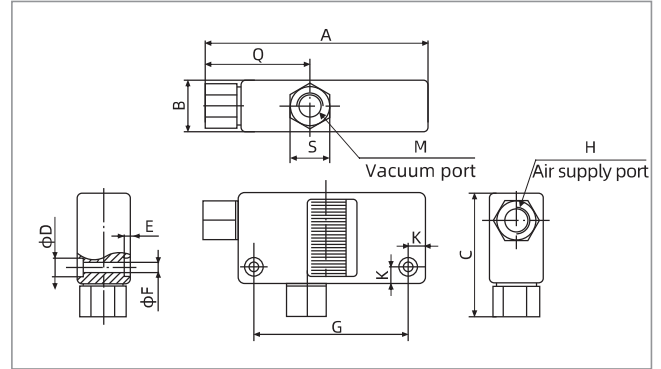


### Dimensions(mm)



AZH - B Box type(One-touch fitting)

Model/Size	A	B	C	D	E	F	G	H	Q	L	K	J
AZH05B-06-06	60	16	31	5.8	2	3.2	47	22	24	6	5	6
AZH07B-06-06	60	16	31	5.8	2	3.2	47	22	24	6	5	6
AZH10B-06-06	63	18	32	5.8	2	3.2	50	23	26	6	5	6
AZH13B-08-10	78	23	38.5	7.5	3	4.2	61	27.5	28	10	7	8



AZH - B Box type(Female thread connection)

AZH - B Box type(One-touch fitting)

Model/Size	A	B	C	D	E	F	G	H	Q	M	K	S
AZH05B-01-01	68	16	39	5.8	2	3.2	47	Rc1/8	31.5	Rc1/8	5	12
AZH07B-01-01	68	16	39	5.8	2	3.2	47	Rc1/8	31.5	Rc1/8	5	12
AZH10B-01-01	71	18	40	5.8	2	3.2	50	Rc1/8	33.5	Rc1/8	5	12
AZH13B-01-02	86.5	23	50	7.5	3	4.2	61	Rc1/8	36.5	Rc1/4	7	14

AZH - B Box type(Female thread connection)

Vacuum Generator

AZK

AZX

AZD

AGS

AGB

AGP

AGX

AGE

ABM/ABX

ABM/ABX  
Combined Type

AMC

AM/AL/AH

AM/AL  
Combined Type

AMD

AZW

AZR

ABT

ABP

ABQ

AEVC

AZL

**AZH**

**AZU**

ACV

ASBP

ALS

ACP

ACPF

ACPS

APB