

# AZL Series

## Multistage Vacuum Generator

**AIRBEST**



RoHS

### Features

- ◇ Multi-level and energy-efficient design
- ◇ Optional solenoid valve and pressure switch
- ◇ Built-in vacuum filter and silencer
- ◇ Vertical and lateral mounting holes for option

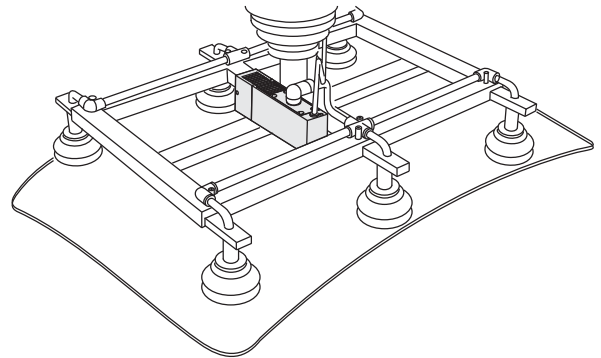
### Advantages

- ◇ Vacuum flow can be increased, save air consumption and shorten working cycle
- ◇ Control function is optional, no need of separate external connection to save space and reduce cost
- ◇ Minimize noise, the filter element is replaceable
- ◇ A variety of installation ways are available



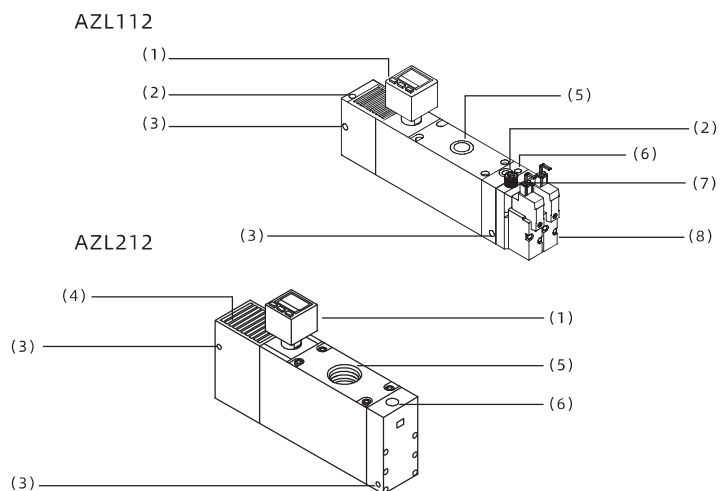
### Applications

- ◇ Suitable for handling of cartons, metal sheet and plastics
- ◇ Suitable for occasions which require large vacuum flow, fast evacuation and low air consumption



### Structure

- ◇ (1) Pressure switch
- ◇ (2) Vertical mounting hole
- ◇ (3) Lateral mounting hole
- ◇ (4) Exhaust port
- ◇ (5) Vacuum port
- ◇ (6) Air supply port
- ◇ (7) Vacuum release valve
- ◇ (8) Vacuum supply valve



# AZL Series

## Multistage Vacuum Generator



### How to order

## AZL 112 - A - DCN

①      ②      ③      ④

① Series	② Nozzle diameter	③ Control valve	④ Digital vacuum pressure switch
AZL	112 - 1×φ1.2mm 212 - 2×φ1.2mm	Nil - Without vacuum supply valve and vacuum release valve A - With vacuum supply valve and vacuum release valve	Nil - Default, without external vacuum port NP - With vacuum port Rc1/8, without pressure switch DCN - Compound pressure switch (-100.0~100.0kPa), 2NPN+V(1-5V) DCP - Compound pressure switch (-100.0~100.0kPa), 2PNP+V(1-5V)

Vacuum Generator

AZK

AZX

AZD

AGS

AGB

AGP

AGX

AGE

ABM/ABX

ABM/ABX  
Combined Type

AMC

AM/AL/AH

AM/AL  
Combined Type

AMD

AZW

AZR

ABT

ABP

ABQ

AEVC

AZL

AZH

AZU

ACV

ASBP

ALS

ACP

ACPF

ACPS

APB

### Selection-AZL112 Series

Model/Control valve Nil- Without control valve	A - With vacuum supply valve +vacuum release valve
AZL112	AZL112-A
AZL112-NP	AZL112-A-NP
AZL112-DCN	AZL112-A-DCN
AZL112-DCP	AZL112-A-DCP

### Selection-AZL212 Series

Model/Control valve Nil- Without control valve	A - With vacuum supply valve +vacuum release valve
AZL212	-
AZL212-NP	-
AZL212-DCN	-
AZL212-DCP	-

### Technical parameters

Model	Rated air supply pressure bar	Max. vacuum level -kPa	Max. vacuum flow NL/min	Air consumption NL/min	Noise level dB(A)	Working temperature °C	Recommended hose dia.(mm)	
							Air supply port (P)	Vacuum port (V)
AZL112	4.0	84	100	63	70	5~50	φ6	φ12
AZL212	4.0	84	200	126	77	5~50	φ8	φ12

◇ Note: Max.operating pressure 7bar, recommended air supply pressure range 2-5bar. Noise level is measured by the vacuum generator with built-in silencer.

### Vacuum flow(NL/min) at different vacuum levels(-kPa)

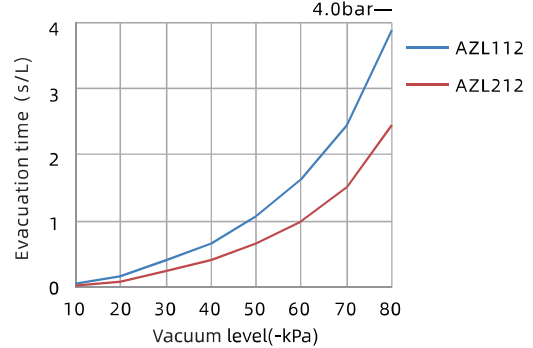
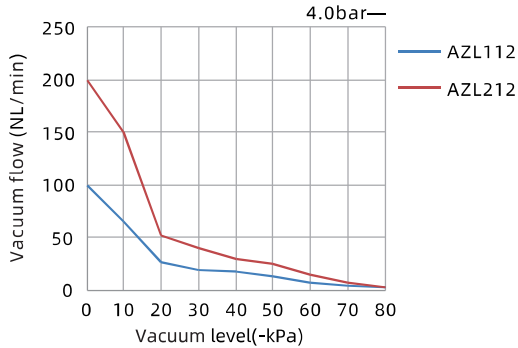
Model	Air supply pressure bar	Air consumption NL/min	Vacuum level (-kPa)										Max. vacuum level -kPa
			0	10	20	30	40	50	60	70	80		
AZL112	4.0	63	100.0	65.0	26.0	20.0	18.5	13.0	8.0	5.0	2.8	84	
AZL212	4.0	126	200.0	150.0	52.0	40.0	30.0	25.0	15.0	8.0	3.0	84	

### Evacuation time(s/L) to reach different vacuum levels(-kPa)

Model	Air supply pressure bar	Air consumption NL/min	Vacuum level (-kPa)									Max. vacuum level -kPa
			10	20	30	40	50	60	70	80		
AZL112	4.0	63	0.05	0.17	0.40	0.67	1.07	1.63	2.46	3.9	84	
AZL212	4.0	126	0.02	0.08	0.25	0.42	0.65	0.98	1.52	2.46	84	

# AZL Series

## Multistage Vacuum Generator

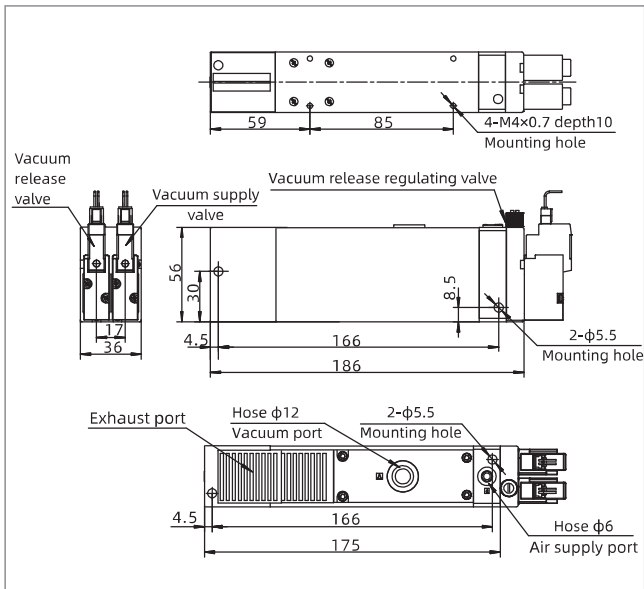


### Technical parameters- Control valve

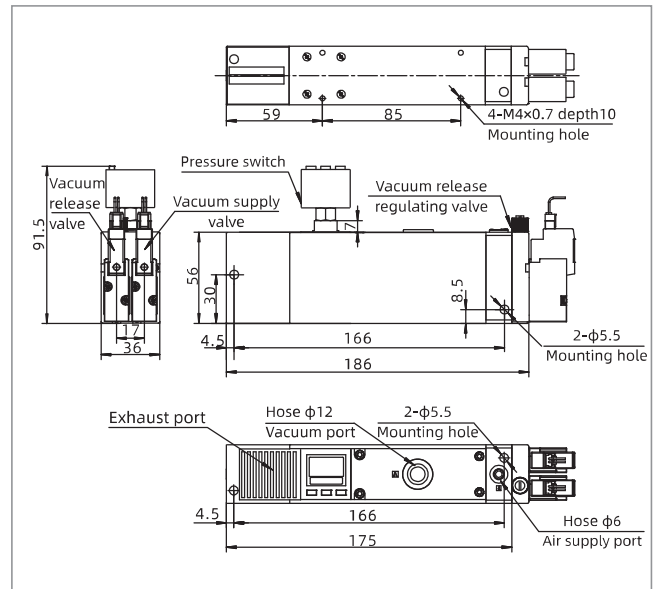
Type of valve actuation	Internal pilot type NC (normally closed)
Operating pressure range	2.0~5.0bar
Rated voltage	24V
Ambient and fluid temperature	5~50°C
Response time(at 0.5Mpa)	25ms below
Max. operating frequency	5Hz
Manual operation	Slotted locking type

Pilot exhaust type	Individual exhaust,concentrated exhaust
Lubrication	Not required
Mounting position	Unrestricted
Impact/Vibration resistance	150/30m/s <sup>2</sup>
Enclosure	Dust-proof
Lead wire type	Direct lead out type, lead wire length 0.3m

### Dimensions(mm)



AZL112-A



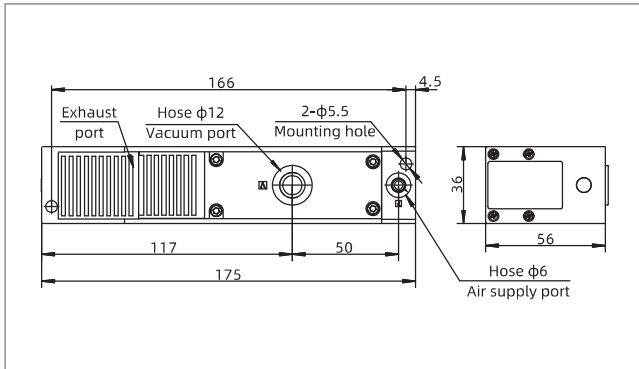
AZL112-A-DCN AZL112-A-DCP

# AZL Series

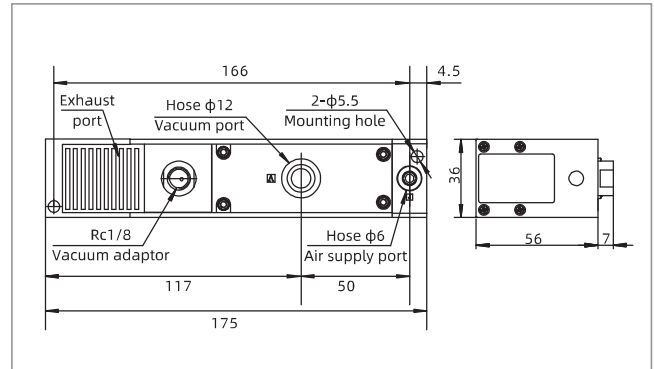
## Multistage Vacuum Generator



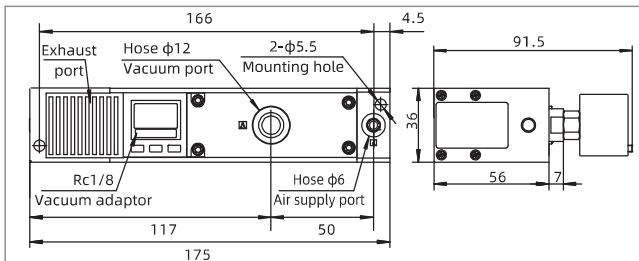
### Dimensions(mm)



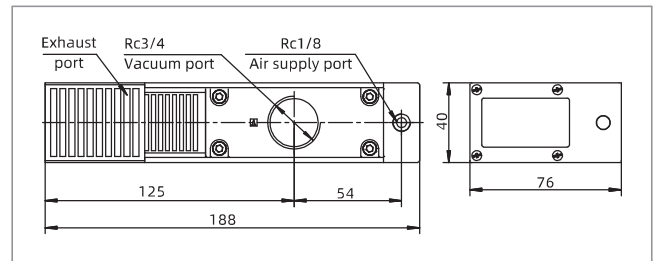
AZL112



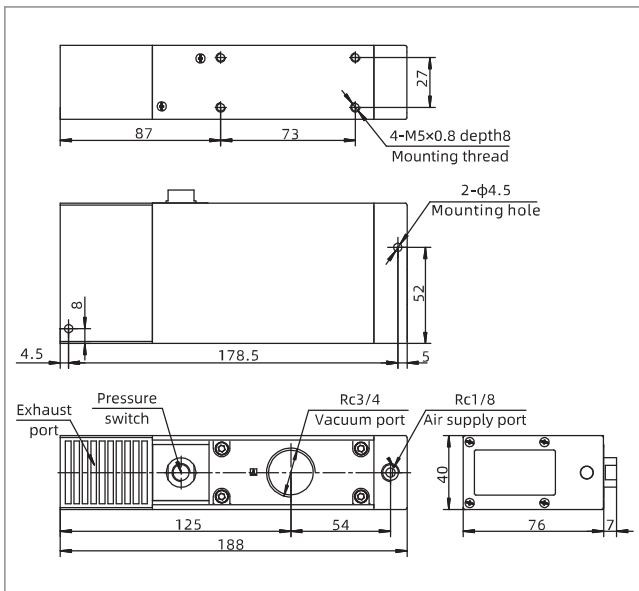
AZL112-NP



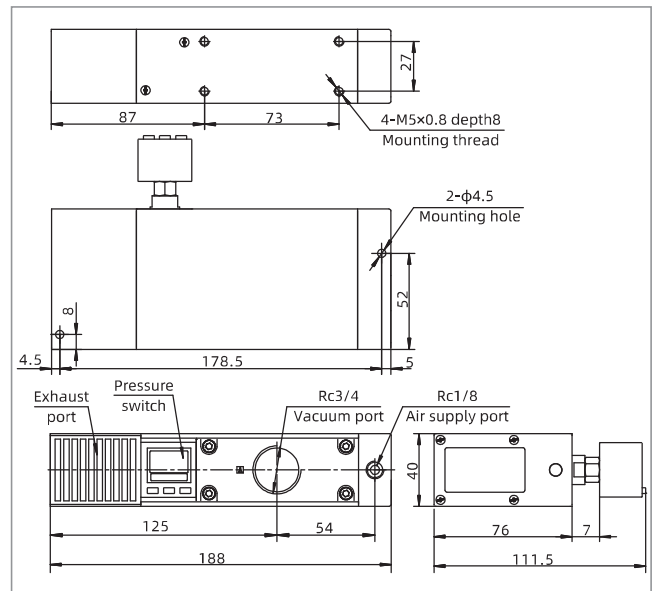
AZL112-DCN AZL112-DCP



AZL212



AZL212-NP



AZL212-DCN AZL212-DCP

Vacuum Generator

AZK

AZX

AZD

AGS

AGB

AGP

AGX

AGE

ABM/ABX

ABM/ABX Combined Type

AMC

AM/AL/AH

AM/AL Combined Type

AMD

AZW

AZR

ABT

ABP

ABQ

AEVC

**AZL**

AZH

AZU

ACV

ASBP

ALS

ACP

ACPF

ACPS

APB