

AZU Series

Basic Vacuum Generator

AIRBEST



ELECTRONICS



Features

- ◇ Axial connection
- ◇ Plastic housing
- ◇ High vacuum type and large flow type for option

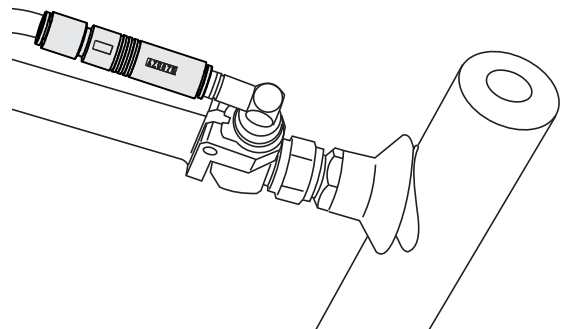
Advantages

- ◇ Installing directly to hose
- ◇ Suitable for small space
- ◇ Easy installation, no additional installation accessories are required



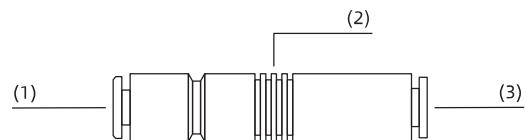
Applications

- ◇ Linear type to install to PU hose directly
- ◇ Suitable for handling system of limited space
- ◇ Handling of electronic components



Structure

- ◇ (1) Air supply port
- ◇ (2) Exhaust port
- ◇ (3) Vacuum port



AZU Series

Basic Vacuum Generator

How to order

AZU 05 S

① ② ③

① Series	② Nozzle diameter	③ Specification
AZU	05 - ϕ 0.5mm 07 - ϕ 0.7mm	S - High vacuum level type (-85kPa) L - Large vacuum flow type (-48kPa)

Selection

Model/Nozzle diameter	05	07
AZU□S	AZU05S	AZU07S
AZU□L	AZU05L	AZU07L

Technical parameters

Model	Nozzle diameter mm	Rated air supply pressure bar	Max. vacuum level -kPa	Max. vacuum flow NL/min	Air consumption NL/min	Air noise level dB(A)	Working temperature °C	Weight g	Recommended hose dia.(mm)	
									Air supply port P	Vacuum port V
AZU05S	0.5	4.5	85	7	9	68	5~60	6.5	ϕ 6	ϕ 6
AZU07S	0.7	4.5	85	12	19	68	5~60	7.0	ϕ 6	ϕ 6
AZU05L	0.5	4.5	48	12	9	70	5~60	6.5	ϕ 6	ϕ 6
AZU07L	0.7	4.5	48	21	19	70	5~60	7.0	ϕ 6	ϕ 6

◇ Note: Max. operating pressure 7bar, standard operating pressure 4.5bar

Vacuum flow(NL/min) at different vacuum levels(-kPa)

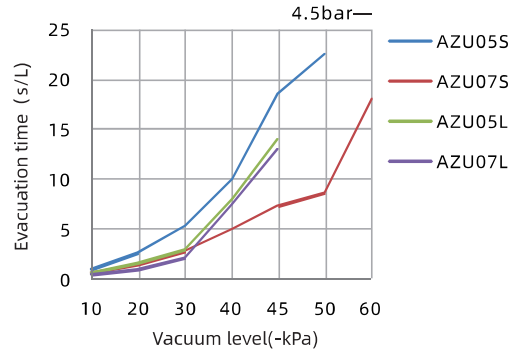
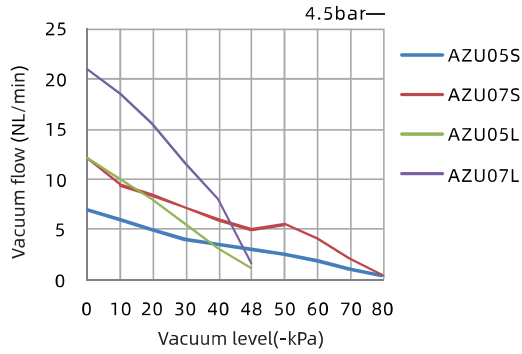
Model	Air supply pressure bar	Air consumption NL/min	Vacuum level (-kPa)											Max. vacuum level -kPa
			0	10	20	30	40	48	50	60	70	80		
AZU05S	4.5	9	7.0	6.0	5.0	4.0	3.5	-	2.5	1.8	1.0	0.4	85	
AZU07S	4.5	19	12.0	9.5	8.5	7.2	6.0	-	5.5	4.0	2.0	0.4	85	
AZU05L	4.5	9	12.0	10.0	8.0	5.5	3.0	1.0	-	-	-	-	48	
AZU07L	4.5	19	21.0	18.5	15.5	11.5	8.0	1.5	-	-	-	-	48	

Evacuation time(s/L) to reach different vacuum levels(-kPa)

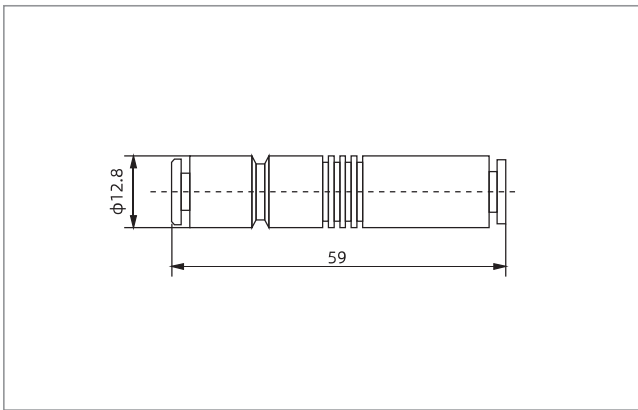
Model	Air supply pressure bar	Air consumption NL/min	Vacuum level (-kPa)							Max. vacuum level -kPa
			10	20	30	40	45	50	60	
AZU05S	4.5	9	0.90	2.6	5.2	10.0	-	22.5	-	85
AZU07S	4.5	19	0.53	1.4	2.7	5.0	-	8.7	18	85
AZU05L	4.5	9	0.60	1.5	2.9	8.0	14.0	-	-	48
AZU07L	4.5	19	0.34	0.9	2.0	7.5	13.0	-	-	48

AZU Series

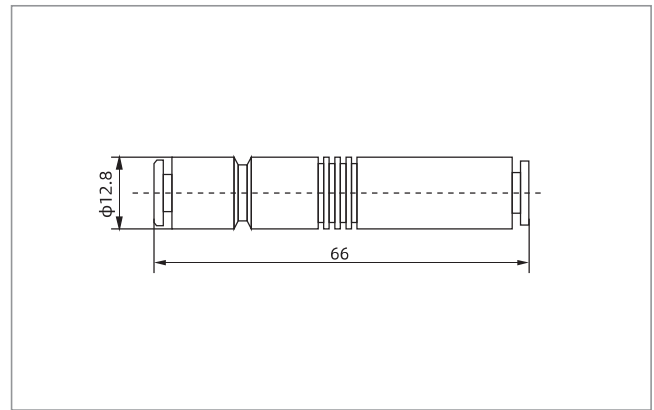
Basic Vacuum Generator



Dimensions(mm)



AZU05



AZU07