

TXN Series

Vacuum Gripper-Mini Type



ELECTRONICS



PACKAGING

Features

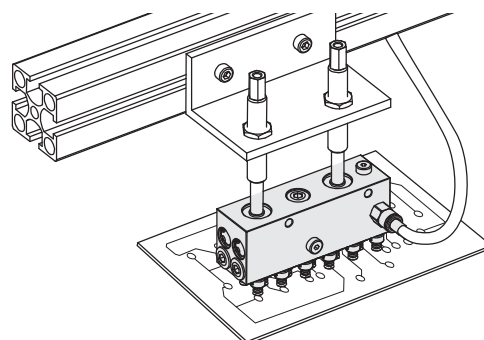
- ◇ Small size, simple structure and light weight
- ◇ Various vacuum sources, can select built-in vacuum generator or external blower
- ◇ Sponge type: Conventional sponge, Mark free sponge, Conductive sponge can be selected
- ◇ Suction cup type: The size, material and rows of suction cups are optional

Advantages

- ◇ It is easy to install and maintain
- ◇ Customers can choose accurately according to the actual application, built-in vacuum generator structure can save space and create vacuum fastly, easy to control
- ◇ Sponge type can achieve flexible contact, when touching with glass and other fragile workpieces, it could be mark free and non-positioning suction
- ◇ Suction cup type has throttling effect, which can be used to adsorb hollow porous, uneven, different shapes of workpieces

Applications

- ◇ Used for handling light and small fragile workpieces, such as electronics, glass screen, electronic components and PCB board, etc.
- ◇ Sponge type can also be used for sorting and labeling in packaging industry



Structure

- ◇ The main body is made of aluminum alloy
- ◇ The vacuum gripper TXN22 × 38/TXN22 × 76 are without vacuum generator, others are with built-in vacuum generator

TXN Series

Vacuum Gripper-Mini Type



How to order

TXN 15×76 - B5N WS - C

① ② ③ ④ ⑤

① Series	② Dimension	③ Adsorption surface type	④ Material of suction cup	⑤ Vacuum type
TXN	22×38	A - Conventional sponge	Nil - Default, NBR	Nil - Without vacuum generator
	22×76	AT - Mark free sponge	WS - White silicone	C - With built-in vacuum generator
	15×76	CA - Conductive sponge		
	15×90	B3 - φ3 Single-row suction cup		
	27×90	B5 - φ5 Single-row suction cup		
	60×120	B7 - φ7 Single-row suction cup		
		B3N - φ3 double-row suction cup		
		B5N - φ5 double-row suction cup		
		B7N - φ7 double-row suction cup		
		B3D - φ3 four-row suction cup		
		B5D - φ5 four-row suction cup		
		B7D - φ7 four-row suction cup		

Selection - Sponge type

Model/Adsorption surface type	A - Conventional sponge	AT - Mark free sponge	CA - Conductive sponge
TXN22×38-□	TXN22×38-A	TXN22×38-AT	TXN22×38-CA
TXN22×76-□	TXN22×76-A	TXN22×76-AT	TXN22×76-CA
TXN60×120-□-C	TXN60×120-A-C	-	-

Selection - Suction cup type

Model/Suction cup material	Nil - NBR	WS - White silicone
TXN15×76-B5N□-C	TXN15×76-B5N-C	TXN15×76-B5NWS-C
TXN15×76-B7N□-C	TXN15×76-B7N-C	TXN15×76-B7NWS-C
TXN15×90-B3□-C	TXN15×90-B3-C	TXN15×90-B3WS-C
TXN15×90-B5□-C	TXN15×90-B5-C	TXN15×90-B5WS-C
TXN15×90-B7□-C	TXN15×90-B7-C	TXN15×90-B7WS-C
TXN15×90-B3N□-C	TXN15×90-B3N-C	TXN15×90-B3NWS-C
TXN15×90-B5N□-C	TXN15×90-B5N-C	TXN15×90-B5NWS-C
TXN15×90-B7N□-C	TXN15×90-B7N-C	TXN15×90-B7NWS-C
TXN27×90-B3D□-C	TXN27×90-B3D-C	TXN27×90-B3DWS-C
TXN27×90-B5D□-C	TXN27×90-B5D-C	TXN27×90-B5DWS-C
TXN27×90-B7D□-C	TXN27×90-B7D-C	TXN27×90-B7DWS-C

TXN22×38/TXN22×76

Vacuum Gripper-Mini Type



Features

- ◇ The gripper is used in the handling and sorting process of light and small workpieces. It is suitable to handle multihole workpieces and partial leakage workpieces

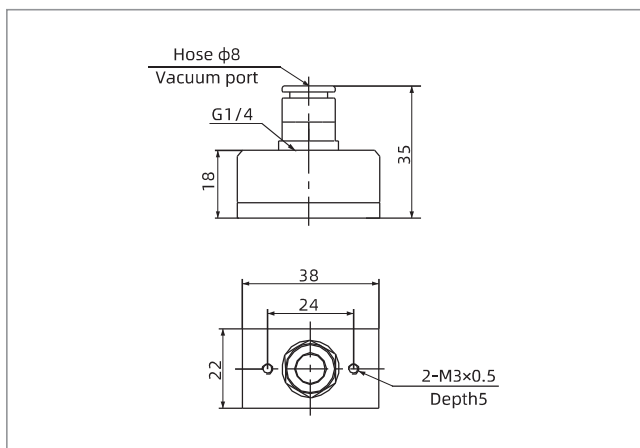


Technical parameters

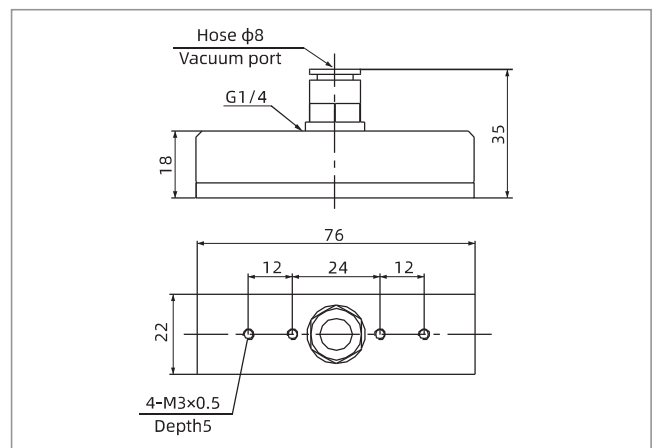
Model	Theoretical suction force N	Recommended min. flow of vacuum generator NL/min	Optional function	Working temperature °C	Weight g	Recommended hose dia.(mm) Vacuum port (V)
TXN22×38	18	≥40	Mark free/Conductive	0-60	45	φ8
TXN22×76	34	≥60	Mark free/Conductive	0-60	68	φ8

- ◇ Note: 1. Testing vacuum level is -60kPa, the data of theoretical suction force as above are figured out in the condition that the vacuum gripper is fully covered by a rigid airtight workpiece, and without considering safety factor.
- 2. The mark free in the optional function of the above table indicates that special materials are attached to the sponge surface to reduce the mark on the contact surface.
- 3. Conductivity in the optional function shown in the above table indicates the use of special conductive sponge materials.

Dimensions(mm)



TXN22×38



TXN22×76

Spare parts selection

Item	Sponge model	Dimension mm	Application
22×38 Conventional sponge	TXN38-A	22×38×4	Conventional application
22×38 Mark free sponge	TXN38-AT	22×38×4	Mark free application
22×38 Conductive sponge	TXN38-CA	22×38×4	Conductive application
22×76 Conventional sponge	TXN76-A	22×76×4	Conventional application
22×76 Mark free sponge	TXN76-AT	22×76×4	Mark free application
22×76 Conductive sponge	TXN76-CA	22×76×4	Conductive application

Vacuum gripper

TXN
TXD
TXC
TXM
TXP
TXH
TXL

TXN15×76

Vacuum Gripper-Mini Type

Features

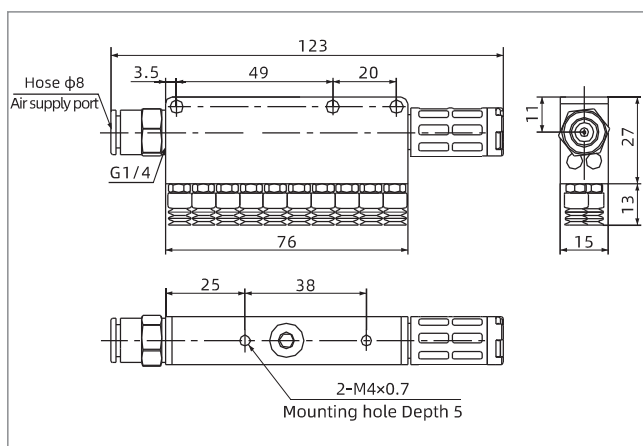
- ◇ The gripper is used in the handling and sorting process of light and small workpieces. It is suitable to handle multihole workpieces and partial leakage workpieces



Technical parameters

Model	Air supply pressure bar	Max.vacuum level -kPa	Max.vacuum flow NL/min	Air consumption NL/min	Working temperature °C	QTY of suction cup pcs	Weight g
TXN15×76	5.0	85	40	45	0~60	10	110

Dimensions (mm)



TXN15×76

Spare parts selection

Item	Model of suction cup	Diameter of suction cup mm
TXN suction cup	TXN-B5 TXN-B5WS	φ5
TXN suction cup	TXN-B7 TXN-B7WS	φ7

TXN15×90/TXN27×90

Vacuum Gripper-Mini Type



Features

- ◇ The gripper has throttling effect, which can be used to adsorb hollow porous, uneven, different shapes of workpieces. It can achieve suction without positioning, and can effectively grasp in case of leakage to protect workpieces

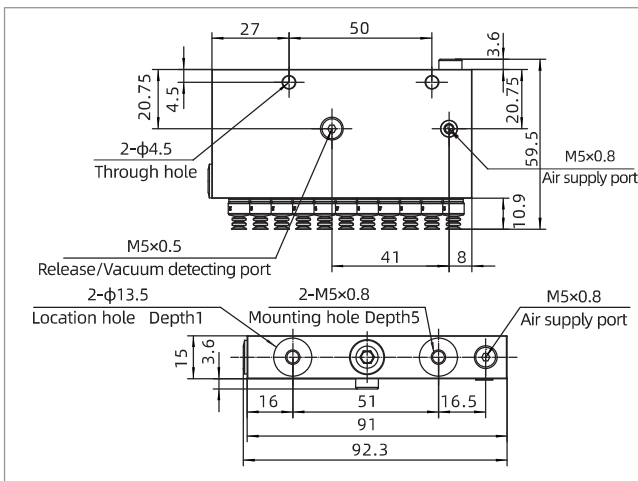


Technical parameters

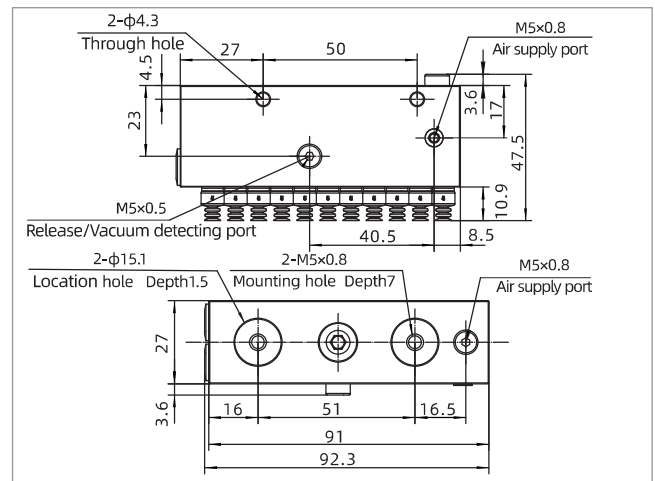
Model	Air supply pressure range bar	Max.vacuum level covered area 100%	Max.vacuum level covered area 25%	Max.vacuum flow NL/min	Air consumption NL/min	Working temperature °C	QTY of suction cup pcs	Weight g
TXN15×90	5.0-6.0	88	50	140	77	0~80	9/11	150
TXN27×90	5.0-6.0	88	25	140	77	0~80	22	190

- ◇ Note: 1. TXN15 × 90 can be made into single-row and double-row suction cups. The suction cup quantity of single-row is 9pcs, the suction cup quantity of double-row is 11pcs.
- 2. TXN27 × 90 can be only made into four-row suction cups, and the quantity of suction cups is 22pcs.

Dimensions(mm)



TXN15×90



TXN27×90

Vacuum gripper

TXN

TXD

TXC

TXM

TXP

TXH

TXL

TXN60×120

Vacuum Gripper-Mini Type



Features

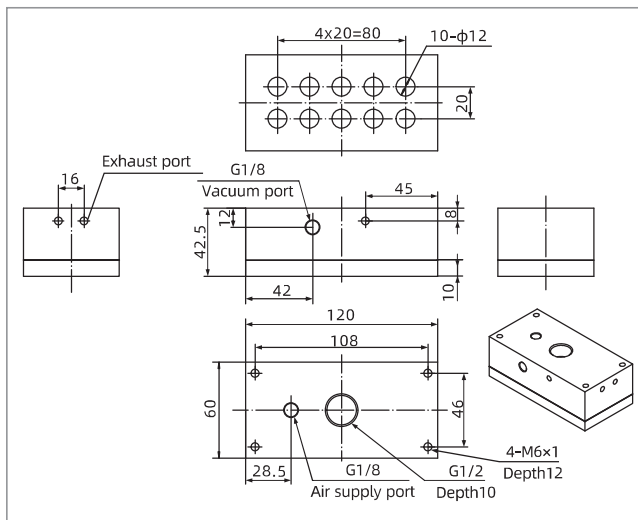
- ◇ The gripper is used in the handling and sorting process of light and small workpieces. It is suitable to handle multihole workpieces and partial leakage workpieces



Technical parameters

Model	Air supply pressure bar	Max.vacuum level -kPa	Max.vacuum flow NL/min	Air consumption NL/min	Working temperature °C	Air supply port	Weight g
TXN60×120	6.0	85	150	75	0-60	G1/8	500

Dimensions(mm)



TXN60×120

Spare parts selection

Item	Model	Dimension mm
60×120 sponge	TXN120-A	60×120×10