

2.4 Product Code

**TMP-3000** **1** **2** **3** **4** **5** **6**

---

<b>1</b>	Pneumatic Output	S : Single Acting D : Double Acting
----------	------------------	--

---

<b>2</b>	Explosion Protection	N : Non-Explosion proof
----------	----------------------	-------------------------

---

<b>3</b>	Conduit – Pneumatic Connection	G : M16x1.5P – G 1/8
----------	-----------------------------------	----------------------

---

<b>4</b>	Flow Capacity	1 : 20 LPM 2 : 50 LPM
----------	---------------	--------------------------

---

<b>5</b>	Options	0 : None 1 : 4-20 mA Analog Output
----------	---------	---------------------------------------

---

<b>6</b>	Fail Option	F : Fail Freeze S : Fail Safe
----------	-------------	----------------------------------

---

2.5 Product Specification

Model	TMP-3000
Acting Type	Single / double
Power supply	24 V DC $\pm$ 10 %, DC 260 mA(@21.6 VDC)
Input Signal	0 to 20 mA / 4-20 mA / 0 to 5 V / 0 to 10 V
Impedance	0 to 20 mA / 4-20 mA : 164 $\Omega$ 0 to 5 V / 0 to 10 V : 561 k $\Omega$
Power Consumption	< 5.8 W
Output Signal	4-20 mA (DC 9 to 28 V) Analog Output
Fail Option (Power supply off)	Fail freeze(stay in current position), Fail safe (move to safe position)
Conduit	2-M16 $\times$ 1.5P
Air Connection	G 1/8 ( $\varnothing$ 6mm Tube)
Supply Pressure	0 to 0.7 MPa (0 to 7 bar)
Flow Capacity : 0.6MPa Supplied	20 LPM / 50 LPM
Air consumption	0 LPM
Filtering Size, particle size	5 Micron
Operating Temp.	-10 to 60 $^{\circ}$ C (14 to 140 $^{\circ}$ F)
Stroke	5 to 40 mm
Ingress Protection	IP67
Output Characteristic	Linear, Quick Open, EQ%, User Set
Vibration	100 Hz @ No resonance up to 6 G
Body Material	PPS
Cover Material	PC (Transparent)
Weight	750 g (1.7 lb)



Tested under ambient temperature of 20  $^{\circ}$ C, absolute pressure of 760 mmHg, and humidity of 65 %.  
 Please contact Rotork YTC Limited for detailed testing specification.

2.6 Certificate and Approvals

➤ **Electromagnetic Compatibility (EMC)**

- EMC directive 2014/30/EC from April 2016
- EC Directive for CE conformity marking

2.7 Parts and Assembly (Exploded View)

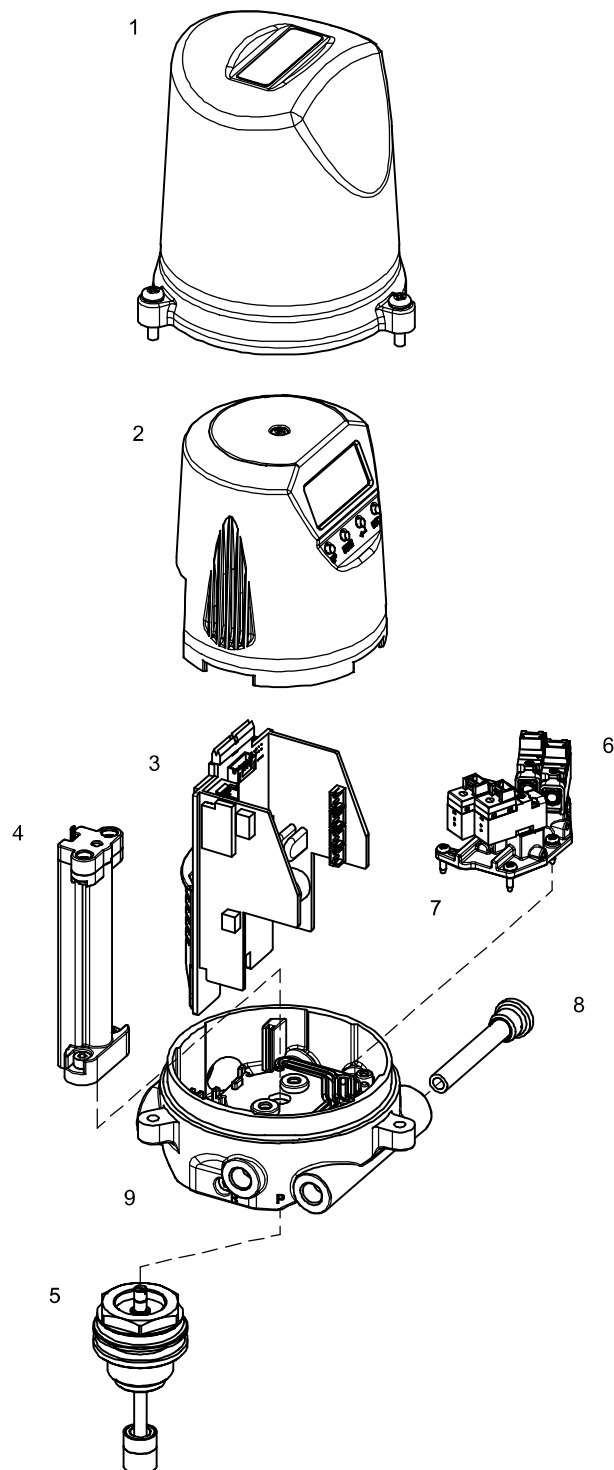


Fig. 2-1: TMP-3000 Exploded View

- |                   |                   |
|-------------------|-------------------|
| 1. Base Cover     | 6. Solenoid Valve |
| 2. PCB Cover      | 7. Manifold       |
| 3. Main PCB       | 8. Filter         |
| 4. Potentiometer  | 9. Base Body      |
| 5. Feedback Shaft |                   |

## 2.8 Exterior Parts and Description

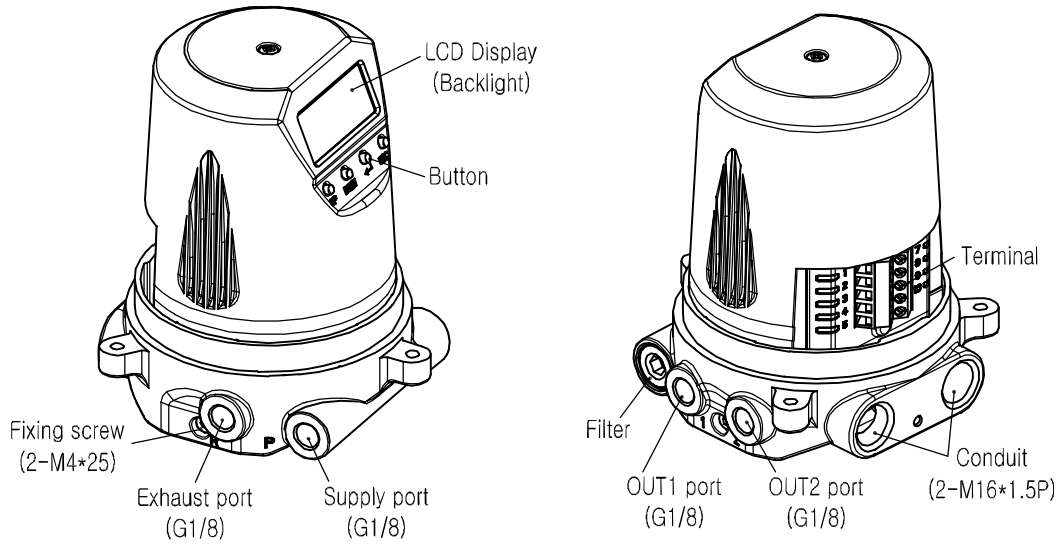


Fig. 2-2: TMP-3000 Exterior Parts and Description (Base Cover Removed)

## 2.9 Filter Cleaning

TMP-3000 has a built-in filter that filters foreign substances from the outside. During maintenance, please observe the followings to clean the filter.

- All input signals to valves, actuators, and other peripherals, pneumatics, etc. must be completely stopped.
- Disconnect the control valve from the system with a bypass valve or other similar device to prevent shutdown of the entire system.
- Make sure there is no air pressure in the actuator.
- Filter size is 5 micron.
- Please assemble carefully after disassembly and be careful of the direction of filter.
- Tool required for disassembly is 6mm wrench.

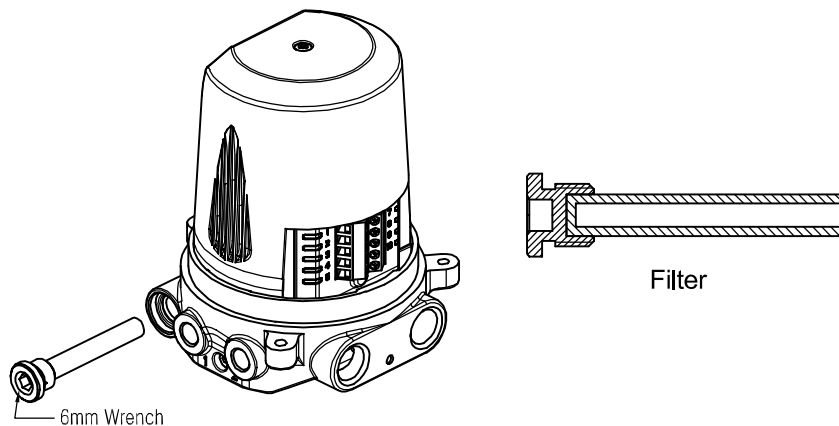


Fig. 2-3: TMP-3000 Filter Cleaning

2.10 Dimensions

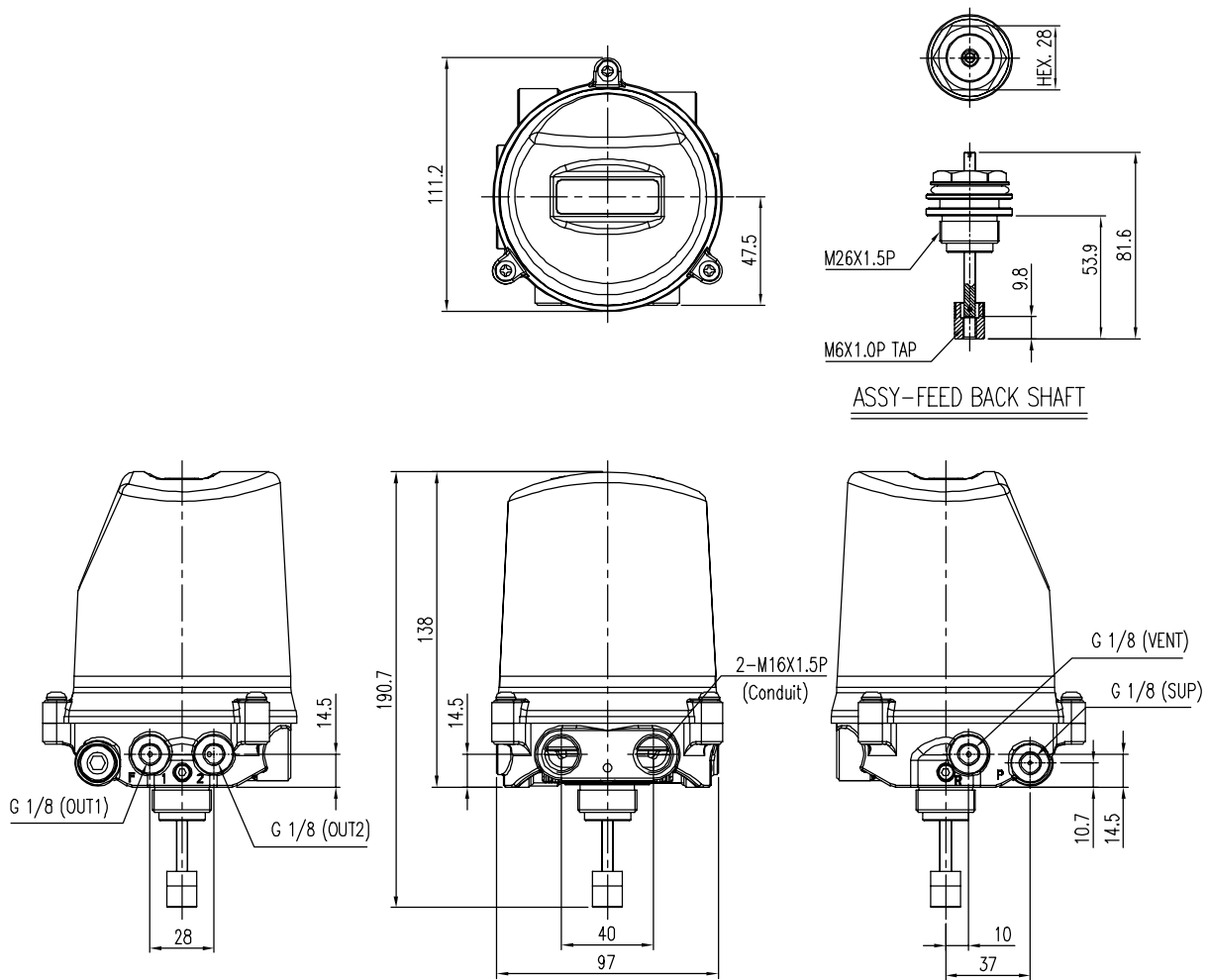


Fig. 2-4: TMP-3000 Dimensions