

# COILS

U04 - U05 - U06 - U1 - U2 - U3 Coils and Connectors

Available ATEX version upon request

CE Ex II 3 GD c nA II T5 - 10°C ≤ Ta ≤ 45°C

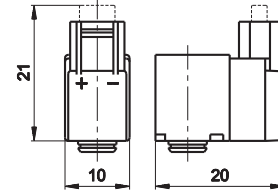
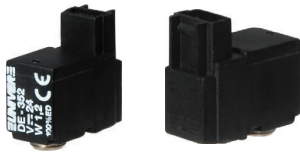


COUPLING TABLE - COILS /ELECTROPILOTS - ELECTROPILOTS/SOLENOID VALVES			Electropilots							
			A (U05)	B (U04)	AA(U1)	AA(U3)		AB (U2)		
Coils	U04	10 mm		■						
	U05	15 mm	■							
	U1	22 mm			■					
	U2	30 mm						■	■	
	U3	30 mm				■	■			
Solenoid valves	BE	ISO 1 - ISO 2 ISO 3 - ISO 4	■				■			R
	AE	ISO 1 ISO 2			■	■				
	BD	ISO 01 26 mm ISO 02 18 mm	■							
	AC-N	NAMUR interface			■	■				
	CL CM	G1/8 G1/4			■	■				
	COMPACT 2/4		■							
	G6 GL6	G1/8 sub-base	■	■						
	G7	G1/8	R		■	■				
	AC	G1/8 - G1/4			■	■				
		G1/2			R	R		■		
	AF	G1/8			■	■				
		G1/4 - G3/8			■	■		■		
		G1/2 ÷ G1			R	R		■		
	AG	G1 1/2								■
		G1/8			■	■				
G1/4 ÷ G1				R	R		■			
	G1 1/2								■	

■ = Standard

R = Upon request

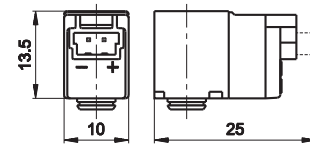
U04 coil with integrated 90° upward connector



Duty cycle ED (a)	Power consumption W		Tension tolerance	Rated voltage	Weight	Part no.	Connector
	%	Hold					
100	1,2	1,2	±10	24 V DC	0,013	DE-352	D-500 D-530-... D-535-...
100	0,5	0,5	±10	24 V DC	0,013	DE-355	
100	1,35	1,35	±10	24 V DC	0,013	DE-452	

Upon request 12 VDC

U04 coil with in-line connector

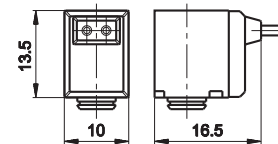
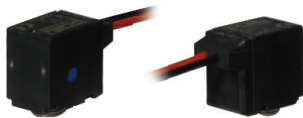


Duty cycle ED (a)	Power consumption W		Tension tolerance	Rated voltage	Weight	Part no.	Connector
	%	Hold					
100	1,2	1,2	±10	24 V DC	0,013	DE-552	D-500 D-530-... D-535-...
100	0,5	0,5	±10	24 V DC	0,013	DE-555	
100	1,35	1,35	±10	24 V DC	0,013	DE-652	

Upon request 12 VDC

3

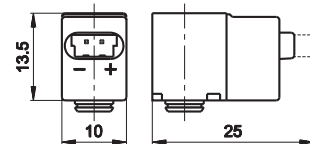
U04 coil with loose cables (length 300 mm)



Duty cycle ED (a)	Power consumption W		Tension tolerance	Rated voltage	Weight	Part no.(b)
	%	Hold				
100	1,2	1,2	±10	24 VDC	0,013	DE-052L030

Upon request 12 VDC

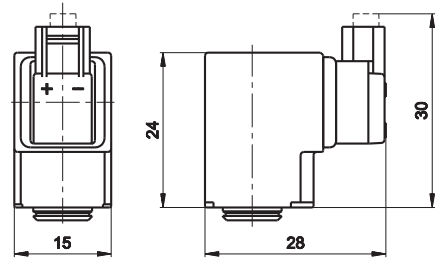
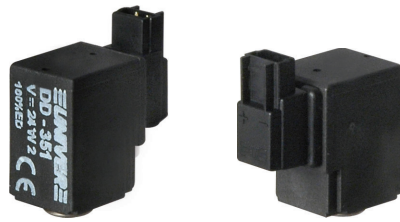
U04 coil with in-line connector with protecting cover for complete tightness



Duty cycle ED (a)	Power consumption W		Tension tolerance	Rated voltage	Weight	Part no.	Connector
	%	Hold					
100	1,35	1,35	±10	12 V DC	0,013	DE-642I	D-500 D-530-... D-535-...
100	1,35	1,35	±10	24 V DC	0,013	DE-652I	
100	0,5	0,5	±10	24 V DC	0,013	DE-655I	

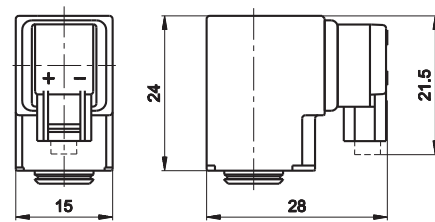
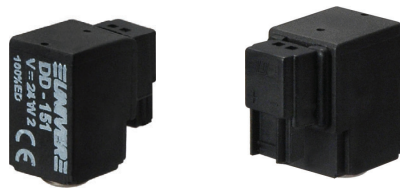
(a) = under continuous service a maximum temperature will not compromise the functioning of the coil provided that the working position is ventilated  
 (b) = different wire lengths are available upon request

U05 coil with integrated 90° upward connector



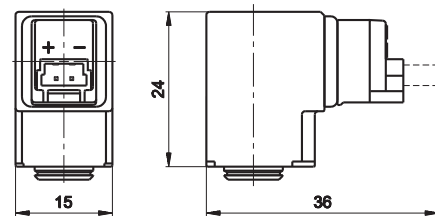
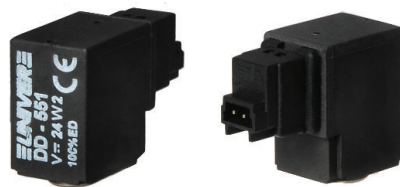
Duty cycle ED(a) %	Power consumption W		Tension tolerance %	Rated voltage	Weight Kg	Part no.	Connector
	Hold	Inrush					
100	2	2	±10	24 V DC	0,019	DD-351	D-500 D-530-... D-535-...

U05 coil with integrated 90° downward connector



Duty cycle ED(a) %	Power consumption W		Tension tolerance %	Rated voltage	Weight Kg	Part no.	Connector
	Hold	Inrush					
100	2	2	±10	24 V DC	0,019	DD-151	D-500 D-530-... D-535-...

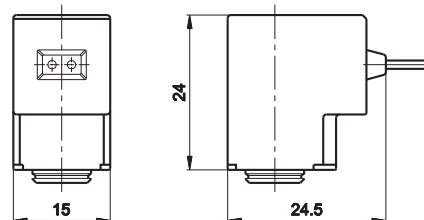
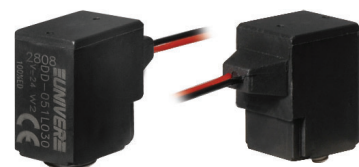
U05 coil with in-line connector



Duty cycle ED(a) %	Power consumption W		Tension tolerance %	Rated voltage	Weight Kg	Part no.	Connector
	Hold	Inrush					
100	2	2	±10	24 V DC	0,019	DD-551	D-500 D-530-... D-535-...

Upon request: version with LED and V DC version

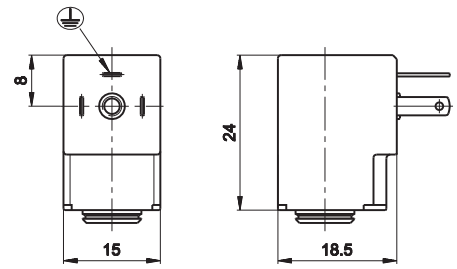
U05 coil with loose cables (length 300 mm)



Duty cycle ED(a) %	Power consumption W		Tension tolerance %	Rated voltage	Weight Kg	Part no. (b)
	Hold	Inrush				
100	1,5	1,5	±10	12 V DC	0,019	DD-051L030
100	2	2	±10	24 V DC	0,019	DD-052L030

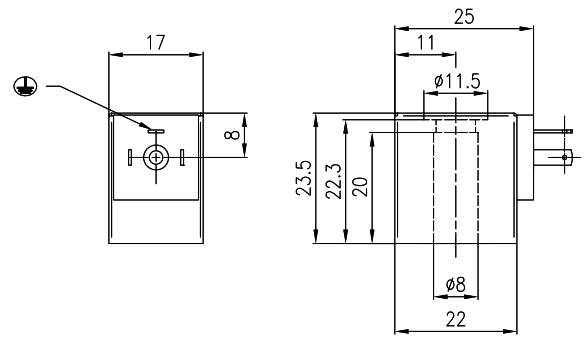
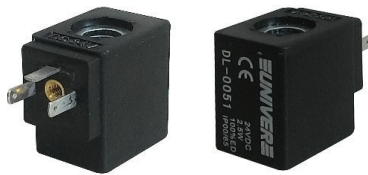
(a) = under continuous service a maximum temperature will not compromise the functioning of the coil provided that the working position is ventilated  
 (b) = different wire lengths are available upon request

### U05 15 mm coil - Faston



Duty cycle ED(a)	Power consumption W				Tolerance		Rated voltage		Frequency	Weight	Part no.	Connector
	%	DC W		AC VA		tension %		DC	AC	HZ		
	Hold	Inrush	Hold	Inrush	DC	AC						
100	-	-	3,5	-	-	±10	-	230	50/60	0,019	DD-013	AM-5109
100	-	-	2,3	3,2	-	±10	-	24	50/60	0,019	DD-040	
100	2	2	-	-	±10	-	12	-	-	0,019	DD-041	
100	2,5	2,5	-	-	±10	-	12	-	-	0,019	DD-042	
100	-	-	2,3	3,2	±10	-	-	48	50/60	0,019	DD-050	
100	2	2	-	-	±10	-	24	-	-	0,019	DD-051	
100	2,5	2,5	-	-	±10	-	24	-	-	0,019	DD-052	
100	-	-	-	-	-	±10	-	110	50/60	0,019	DD-060	
100	-	-	2,3	3,2	-	-	-	230	50/60	0,019	DD-070	

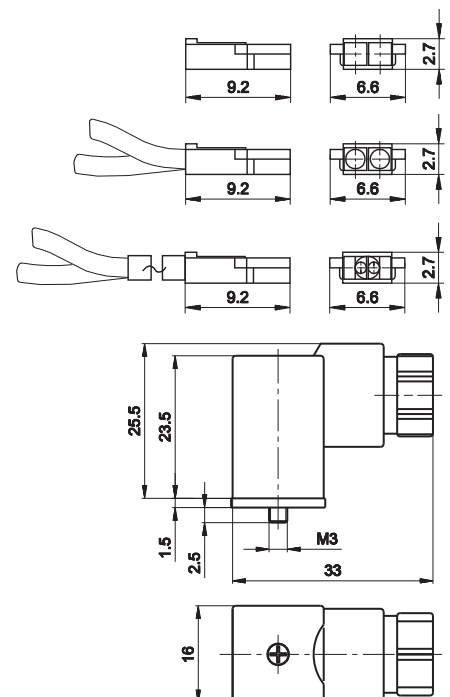
### U06 15 mm coil



Duty cycle ED(a)	Power consumption W		Tension tolerance	Rated voltage	Weight	Part no.
	%	Hold				
100	2,5	2,5	±10	12 V DC	0,08	DL-0050
100	2,5	2,5	±10	24 V DC	0,08	DL-0051
100	3,3 VA (Max)	5 VA (Max)	±10	24 V AC 50/60 Hz 5 VA	0,08	DL-0106
100	3,3 VA (Max)	5 VA (Max)	±10	110 V AC 50/60 Hz 5 VA	0,08	DL-0108
100	3,3 VA (Max)	5 VA (Max)	±10	230 V AC 50/60 Hz 5 VA	0,08	DL-0124

### Connectors for U04, U05 and U06 coils

	Length (mm)	Coil	Part no.
<b>MINIATURE CONNECTOR WITHOUT WIRES</b>			
	-	U04/U05	D-500
<b>MINIATURE CONNECTOR WITH LOOSE CABLES</b>			
	300	U04/U05	D-530-30
	500	U04/U05	D-530-50
	2000	U04/U05	D-530-200
<b>MINIATURE CONNECTOR WITH CABLE</b>			
	300	U04/U05	D-535-30
	500	U04/U05	D-535-50
	2000	U04/U05	D-535-200



**CAUTION!** Do not invert the polarity when connecting the coil with LED.

15 mm connector



U05/U06 AM-5109

Protection according to IP65. PG9 cable connection. 180° rotation on the coil.

Upon request version with LED:

(a) = 110V - 230V solenoid valves must be built-in (EN-60204-1)

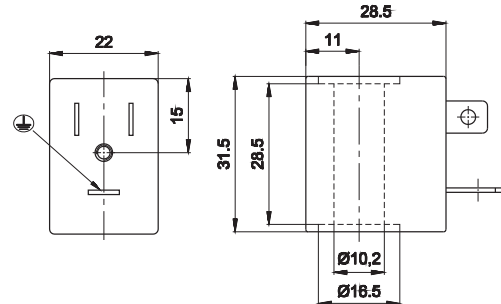
Under continuous service a maximum temperature will not compromise the functioning of the coil provided that the working position is ventilated

For version CSA/UL see related section



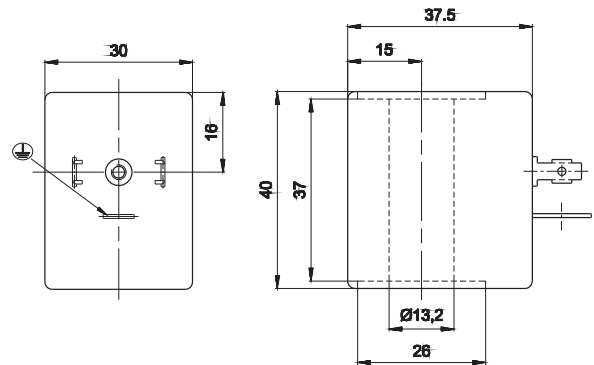
Possibility of replacement without intervention in the pneumatic circuit  
 Other voltages available upon request  
 360° rotation on the pilot. Coil winding: H class  
 Ambient temperature: -10 ÷ +45 °C. Fluid temperature: -10 ÷ +95 °C.  
 The solenoid valves functioning with 100V-230V must be incorporated (EN60204-1)  
 Under continuous service a maximum temperature will not compromise the functioning of the coil provided that the working position is ventilated.  
 Protection class IP65, if used with connector.

U1 22 mm coil to be used with U1 electropilot



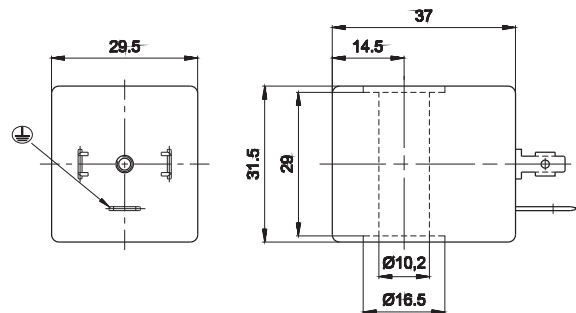
Duty cycle ED <sup>(a)</sup>	Power consumption W		Tolerance tension	Rated voltage	Weight	Part no.
	%	Hold				
100	3,5	3,5	±10	12 V DC	0,06	DA-0050
100	3,5	3,5	±10	24 V DC	0,06	DA-0051
100	5,4 VA (Max)	7,8 VA (Max)	±10	24 V AC/50-60 HZ	0,06	DA-0106
100	5,4 VA (Max)	7,8 VA (Max)	±10	110 V AC/50-60 HZ	0,06	DA-0108
100	5,4 VA (Max)	7,8 VA (Max)	±10	230 V AC/50-60 HZ	0,06	DA-0124

U2 30 mm coil to be used with U2 electropilot



Duty cycle ED <sup>(a)</sup>	Power consumption W		Tension tolerance	Rated voltage	Weight	Part no.
	%	Hold				
100	11	11	±10	12 V DC	0,10	DB-0501
100	11	11	±10	24 V DC	0,10	DB-0502
100	10 VA (Max)	16 VA (Max)	±10	24 V AC/50-60 HZ	0,10	DB-0507
100	10 VA (Max)	16 VA (Max)	±10	110 V AC/50-60 HZ	0,10	DB-0509
100	10 VA (Max)	16 VA (Max)	±10	230 V AC/50-60 HZ	0,10	DB-0510

U3 30 mm coil to be used with U1 electropilot



Duty cycle ED <sup>(a)</sup>	Power consumption W		Tension tolerance	Rated voltage	Weight	Part no.
	%	Hold				
100	2,5	2,5	±10	12 V DC	0,08	DC-0301
100	2,5	2,5	±10	24 V DC	0,08	DC-0302
100	3,3 VA (Max)	5 VA (Max)	±10	24 V AC/50-60 HZ	0,08	DC-0307
100	3,3 VA (Max)	5 VA (Max)	±10	110 V AC/50-60 HZ	0,08	DC-0309
100	3,3 VA (Max)	5 VA (Max)	±10	230 V AC/50-60 HZ	0,08	DC-0310

(a) = 110V - 230V solenoid valves must be built-in (EN-60204-1)

Under continuous service a maximum temperature will not compromise the functioning of the coil provided that the working position is ventilated

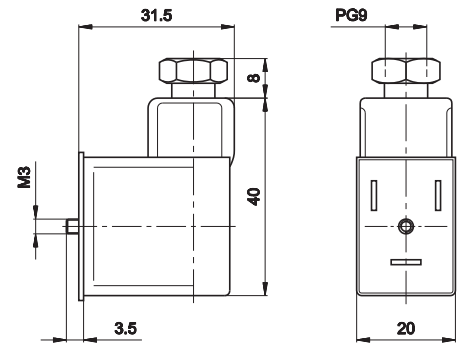
### Connector for U1 coil

Coil	Part no.
CONNECTOR	



U1 AM-5110

Protection according to IP 65. PG9 cable connection. 180° rotation on the coil  
LED available upon request.



### Connector for U2, U3 coil

Coil	Part no.
DIN 43650 CONNECTOR	



U2/U3 AM-5111

Protection according to IP 65. PG9 cable connection. 360° rotation on the coil.  
LED available upon request.

